

Payment Terms

Net 30 Days (with approved credit).

1 1/2% interest charge per month may be assessed against invoices not paid within 30 days. American Fire Supply accepts all major credit cards.

Taxes

All prices and quotations are subject to local, federal, and state taxes where applicable.

Quotation Terms

Quotations are honored for 30 days from the date of quotation.

Freight

F.O.B. shipping point with no freight allowance unless otherwise specified. All small shipments are shipped via UPS only. Freight shipments within New England are shipped via Ross Express. Freight shipments outside of New England are shipped best way, prepaid and add. Any shipping instructions are subject to acceptance by seller.

Catalog Specifications

American Fire Supply has the right to substitute material and/or change the design or other specifications, as shown and illustrated in any of our printed text, without accountability to purchasers.

Returned Goods

Merchandise may not be returned for credit without the prior approval of American Fire Supply. An RMA# (return material authorization) is required for all returns. American Fire Supply will accept returned merchandise in its original condition minus a 30% restocking fee and any shipping charges as long as merchandise is returned within 90 days from date of invoice. Credit will apply to future purchases only.

Custom Goods

Returns will not be accepted for custom and/or special ordered material.

Damaged Goods

If the purchaser receives damaged merchandise, the purchaser must notify American Fire Supply within 10 business days. Damaged merchandise may be returned upon thorough examination.

Liability

American Fire Supply accepts no liability for costs of field labor or materials to adjust, change, or correct any product.

Warranty

American Fire Supply warrant products, for one year from the date of shipment, to be free from defects in material and workmanship when properly installed and maintained under normal use and service. Any field modifications may negate this warranty coverage. Warranty coverage is limited to the material replacement of the defective product and does not extend to incidental or consequential damages of any nature.

TABLE of CONTENTS

Access Doors **95 - 97**

All Purpose Access Doors (Standard and Fire Rated) -
Access Doors for Drywall - Access Doors for Plaster

Adapters **91 - 93**

Double Female Adapters - Double Male Adapters - Female x
Male Adapters - Cam and Groove Adapters

Cabinets **99 - 104**

Selection Instructions - Extinguisher Cabinets - Hose
Cabinets - Valve Cabinets - Outside Hose Houses - Plastic
Extinguisher Cabinets

Dry Hydrants and Strainers **79 - 81**

Male and Female Dry Hydrants - Dry Hydrant Signs - Dry
Hydrant Strainers - Strainer Support Clamps

Fire Department Connections **19 - 33**

FDC Inlets (Complete Units) - Hydrants and Test Headers
(Complete Units) - Inlet and Outlet Bodies Only - Roof
Manifolds - Clapperless Bodies

FDC Accessories **35 - 39**

Reducers - Caps - Plugs - Ball Drips - Clappered Snoots -
Open Snoots - Brass Check Valves - Sleeves - Round Wall
Plates - Rectangular Wall Plates - FDC Signs

Fire Extinguishers **59 - 63**

ABC Extinguishers - CO2 Extinguishers - Class D
Extinguishers - Halotron Extinguishers - Water Type
Extinguishers - K Type Extinguishers - Covers

Fire Hoses **65 - 69**

Single Jacket - Double Jacket - Rubber Covered - Rack Hose
- LDH Hose - Forestry Hose - Booster Hose - PVC Suction
Hose

Fire Hose Racks and Reels **71 - 73**

Complete Hose Rack Assemblies - Hose Rack Covers - Hose
Reels - Hose Reel Covers

Nozzles **75 - 77**

Fog Nozzles - Plain Hose Nozzles - Forestry Nozzles

Post Indicators and Accessories **41 - 43**

Vertical Indicator Posts - Wall Indicator Posts - NRS Gate
Valves - OS&Y Gate Valves - Supervisory Switches - Flange
Packs

Seismic Cable Bracing **55 - 57**

Cable Spools - Swaging and Crimping Tools - Attachment
Hardware - Cable Cutters

Sprinkler Accessories **45 - 49**

Riser Manifolds - Flexible Drops - Escutcheons - Sprinkler
Extension Nipples - Head Boxes - Guards - Gauges - Flow
Switches - Alarm Bells - Expansion Tanks

Storz Connections **51 - 53**

Straight Storz Connections - 30° Storz Connections - 90°
Storz Connections - 120° Storz Connections - Storz Hydrant
Converters - Storz Caps - Siamese Storz Connections

Test Equipment **83 - 89**

Hydrant Diffusers - Valve Testing Devices - Pitot Kits -
Gauges - Sprinkler Line Tester - Playpipes - Discharge
Elbows - Flow Nozzles - Riptide Flow Test - Miscellaneous

Trim Valves **13 - 17**

Test & Drain Valves - Sight Glasses - Orifice Unions - 3Way
Gauge Valves - Globe & Angle Valves - Ball Valves - OS&Ys
- Pressure Relief Valves - Boiler Drains - Check Valves

Valves **5 - 11**

Angle Hose Valves - Pressure Restricting Hose Valves - Gate
Valves - Pressure Reducing Valves - Butterfly Valves - Check
Valves - Wyes



Material Supplied - **One Congress Tower, Boston MA**

VALVES



Angle Hose Valves	6
Pressure Restricting Hose Valves	6
Hydrant Gate Valves	7
Wedge Disc Gate Valves	7
Wyes	7
Field Adjustable Pressure Reducing Valves	8
Factory Set Pressure Reducing Valves	9
Pilot Operated Pressure Reducing Valves	10
Shotgun Style Swing Check Valves	10
Butterfly Valves	11
Swing Check Valves	11

Angle Hose Valves

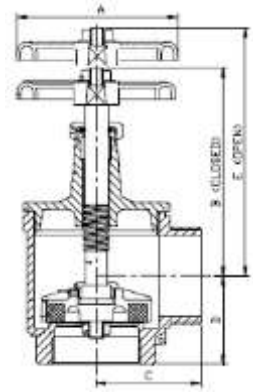
Used as a fire department outlet connection, or with a fire hose rack assembly.

Rated for 300 PSI max operating pressure

U/L listed. Contact us for current approvals.



V25FMRB



Part #	Size	Configuration	A	B	C	D	E
V25FM	2½"	Female x Male	5 1/8"	5 7/8"	3 3/8"	2¾"	7¾"
V25GM	2½"	Groove x Male	5 1/8"	5 7/8"	3 3/8"	3¾"	7¾"
V25FF	2½"	Female x Female	5 1/8"	5 7/8"	3 3/8"	2¾"	7¾"
V15FM	1½"	Female x Male	4"	4½"	2½"	2"	5¾"
V15FF	1½"	Female x Female	4"	4½"	2½"	2"	5¾"

Specify Finish:

- RB Rough Brass
- PB Polished Brass
- PC Polished Chrome

Pressure Restricting Hose Valves

Used to restrict the pressure of flowing water up to 175 PSI. They are angle hose valves with preset orifices which restrict the volume of water and thereby lower the pressure of the flowing water. Pin may be removed by firefighters to allow fully open valve.

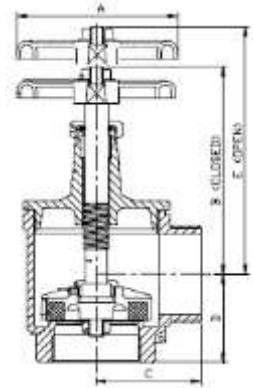
Unlike pressure regulating (reducing) type valves, pressure restricting valves have no effect on the static pressure of a system.

Rated for 175 PSI max operating pressure.

U/L listed. Contact us for current approvals.



AVAPR250F-I



Part #	Size	Configuration	A	B	C	D	E
AVAPR250F-I	2½"	Female x Male	5"	6¾"	3 3/16"	2¾"	8¾"
AVAPR250F-IG	2½"	Groove x Male	5"	6¾"	3 3/16"	3¾"	8¾"
AVAPRF250-I	2½"	Female x Female	5"	6¾"	3 3/16"	2¾"	8¾"
AVAPR150F-I	1½"	Female x Male	4"	4½"	2½"	2"	5¾"
AVAPRF150-I	1½"	Female x Female	4"	4½"	2½"	2"	5¾"

Specify Finish:

- RB Rough Brass
- PB Polished Brass
- PC Polished Chrome

Optional Accessories



Reducers
(Pg. 36)
Variety of options available



Caps & Chains
(Pg. 36)
Variety of options available

Hydrant Gate Valve (with Crank Handle)

Used to throttle the flow of a fire hydrant without damaging the hydrant itself.

Features a non-rising stem and crank handle.

Rated for 175 PSI.

Part #	Size	Configuration	Finish
VAL05116C	2½" NST x 2½" NST	Female x Male	Rough Brass
VAL05116CA	2½" NST x 2½" NST	Female x Male	Aluminum



VAL05116C



VAL05116CA

Hydrant Gate Valve (with Hand Wheel)

Used to throttle the flow of a fire hydrant without damaging the hydrant itself. May also be used on fire pump test connections and test headers that have male NST outlets.

Features a non-rising stem and hand wheel.

U/L listed. Contact us for approvals. Rated for 300 PSI.

Specify Finish:

- RB Rough Brass
- PC Polished Chrome



Part #	Size	Configuration
VAL078	2½" NST x 2½" NST	Female x Male

Wedge Disc Gate Valve

Intended for use on fire pump test connections and test headers, as well as roof hydrants.

U/L listed. Contact us for approvals. Rated for 300 PSI. Not recommended for wet systems.

Features a non-rising stem and hand wheel.

Loose bonnet available upon request (suffix -LB).

Specify Finish:

- RB Rough Brass
- PB Polished Brass
- PC Polished Chrome



Part #	Size	Configuration
VAL53-25	2½" NPT x 2½" NST	Female x Male
VAL53-3	3" NPT x 2½" NST	Female x Male

Wye Valves

Our plain wyes are designed to divide one stream of water into two. They're equipped with a female swivel inlet and two rigid male outlets. Our gated wye with ball valves has ¼ turn handles to give the user the ability to shut off water to either outlet.

Cast brass construction. Finish: Red w/ polished trim

Part #	Size & Configuration	Type
WYE15	1½" F Swivel NST x (2) 1½" M NST	Plain
WYE2515	2½" F Swivel NST x (2) 1½" M NST	Plain
WYE25	2½" F Swivel NST x (2) 2½" M NST	Plain
WYEBALL15	1½" F Swivel NST x (2) 1½" M NST	Ball Valve
WYEBALL2515	2½" F Swivel NST x (2) 1½" M NST	Ball Valve



WYE25



WYEBALL2515

Pressure Reducing Valves - Field Adjustable

Used to control the pressure of water in both flow and no-flow conditions. The field adjustability of these valves allows the installer/engineer to set the desired pressure themselves, rather than the manufacturer. (Can be set at the factory if specified.)

Available in angle or inline (straight) configurations.

Rated for 400 PSI max operating pressure. U/L listed.



ZW5000

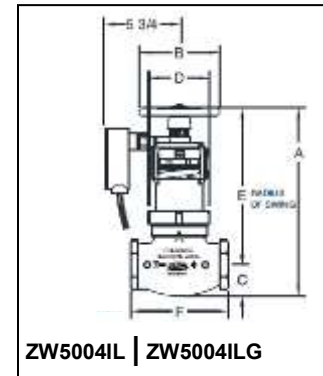
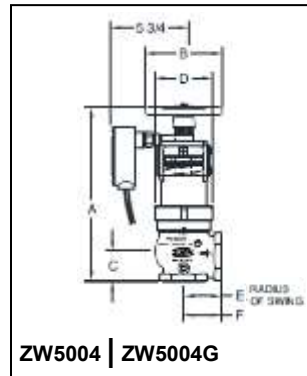
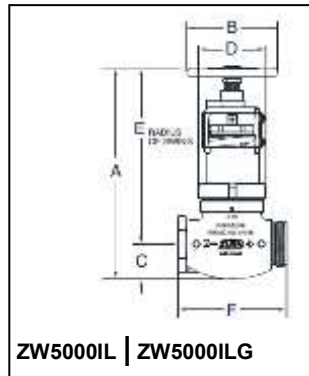
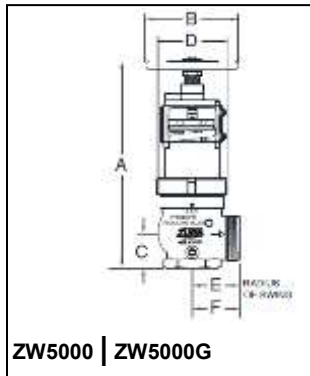
Part #	Size	Type	Inlet	Outlet	Floor Control
ZW5000	2½"	Angle	Female NPT	Male NST	
ZW5000IL	2½"	Straight	Female NPT	Male NST	
ZW5000G	2½"	Angle	Groove	Male NST	
ZW5000ILG	2½"	Straight	Groove	Male NST	
ZW5004	2½"	Angle	Female NPT	Female NPT	✓
ZW5004IL	2½"	Straight	Female NPT	Female NPT	✓
ZW5004G	2½"	Angle	Groove	Groove	✓
ZW5004ILG	2½"	Straight	Groove	Groove	✓

Specify Finish:

-RB Rough Brass

-C Rough Chrome

- All ZW5004 models come standard with built-in supervisory switch



Part #	A (Open)	A (Closed)	B	C	D	E	F
ZW5000	13 7/8"	13 3/8"	6 1/4"	2"	5"	3 1/2"	3 1/4"
ZW5000IL	14 1/2"	14"	6 1/4"	2 1/2"	5"	7 1/2"	7 1/2"
ZW5000G	14 1/2"	14"	6 1/4"	2 1/2"	5"	N/A	3 1/4"
ZW5000ILG	14 1/2"	14"	6 1/4"	2 1/2"	5"	N/A	8 3/4"
ZW5004	13 7/8"	13 3/8"	6 1/4"	2"	5"	3 1/2"	3 1/4"
ZW5004IL	14 1/2"	14"	6 1/4"	2 1/2"	5"	12 7/16"	7 1/2"
ZW5004G	14 1/2"	14"	6 1/4"	2 1/2"	5"	N/A	3 1/4"
ZW5004ILG	14 1/2"	14"	6 1/4"	2 1/2"	5"	N/A	8 3/4"

Pressure Reducing Valves - Factory Set

Used to control the pressure of water in both flow and no-flow conditions. The pressure settings on these valves are set at the factory by the manufacturer. Contractor must fill out valve data sheet for proper setting of pressures.

Available in angle or inline (straight) configurations.

Rated for 400 PSI max operating pressure. U/L listed.



ZW4000G

Part #	Size	Type	Inlet	Outlet	Floor Control
ZW4000	2½"	Angle	Female NPT	Male NST	
ZW4000IL	2½"	Straight	Female NPT	Male NST	
ZW4000G	2½"	Angle	Groove	Male NST	
ZW4000ILG	2½"	Straight	Groove	Male NST	
ZW4004	2½"	Angle	Female NPT	Female NPT	✓
ZW4004IL	2½"	Straight	Female NPT	Female NPT	✓
ZW4004G	2½"	Angle	Groove	Groove	✓
ZW4004ILG	2½"	Straight	Groove	Groove	✓
ZW4100	1½"	Angle	Female NPT	Male NST	
ZW4104	1½"	Angle	Female NPT	Female NPT	✓

Specify Finish:

-RB Rough Brass

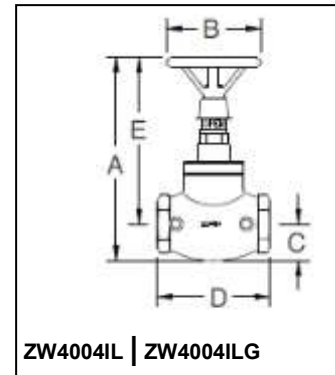
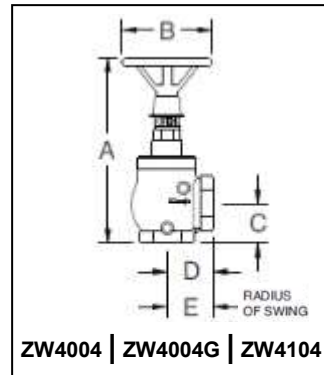
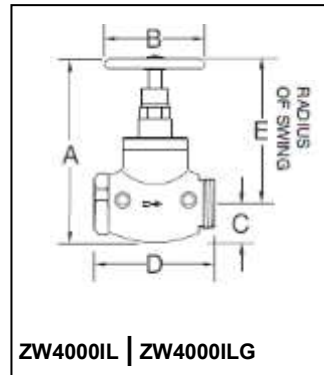
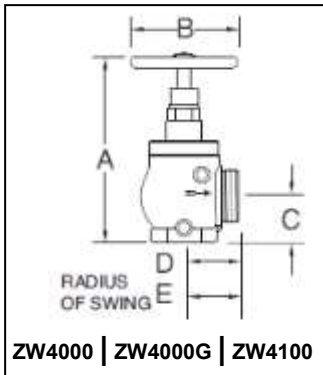
-C Rough Chrome

Specify Optional Components:

-MSA Monitor switch adapter

-SS Supervisory switch

• MSA and SS available on ZW4004 series only



Part #	A (Open)	A (Closed)	B	C	D	E
ZW4000	10 7/8"	10"	6 1/4"	2 3/4"	3 3/16"	3 1/2"
ZW4000IL	11 1/2"	10 1/2"	6 1/4"	2 3/8"	7 1/2"	8 3/16"
ZW4000G	11 5/16"	10 7/16"	6 1/4"	3 5/16"	3 3/16"	3 1/2"
ZW4000ILG	11 1/2"	10 1/2"	6 1/4"	2 3/8"	8 3/4"	8 3/16"
ZW4004	12 7/8"	12"	6 1/4"	2 3/4"	3 3/16"	3 5/8"
ZW4004IL	13 1/2"	12 1/2"	6 1/4"	2 3/8"	7 1/2"	8 3/16"
ZW4004G	13 5/16"	12 7/16"	6 1/4"	3 3/16"	3 3/16"	N/A
ZW4004ILG	13 1/2"	12 1/2"	6 1/4"	2 3/8"	8 3/4"	N/A
ZW4100	11 1/2"	11 1/4"	5 1/4"	9 3/4"	4"	3 1/2"
ZW4104	11 1/2"	11 1/4"	5 1/4"	9 3/4"	4"	2 3/4"

Pilot Operated Pressure Reducing Valves

Designed specifically for fire suppression systems to reduce high inlet pressures to a safe and stable outlet pressure. The pilot assembly reacts to changes in downstream pressure allowing the main valve to modulate between the closed and open position ensuring a constant downstream set pressure. Once the downstream pressure reaches the pilot setting, the main valve will seal shut preventing damage downstream. Pressure regulation is not dependent upon flow rate.

Ductile iron body with internal and external red epoxy coating for corrosion protection. **U/L listed.**



PV4G



Part #	Size
PV125	1¼"
PV15	1½"
PV2	2"
PV25	2½"
PV3	3"
PV4	4"
PV6	6"
PV8	8"

Specify Connections:

- G** Grooved (1½" and up)
- F150** 150# Flanged (1½" and up)
- F300** 300# Flanged (1½" and up)
- T** Threaded (1¼" - 3" only)

Specify Body Style:

- Straight** (Standard)
- A** Angled

Riser Style Swing Check Valves

A substitute to using an alarm check valve with a wet sprinkler system, these check valves may be used in a "shotgun" arrangement where the valve is trimmed in a similar manner but utilizes an electric water flow switch and alarm bell instead of a water motor gong for fire notification.

U/L Listed. Contact American Fire Supply for current approvals.



Part #	Size	Type	Material	Working Pressure
CHK321526-S	2"	Grooved	Ductile Iron	300 PSI
CHK321533-S	2½"	Grooved	Ductile Iron	300 PSI
CHK321539-S	3"	Grooved	Ductile Iron	300 PSI
CHK321547-S	4"	Grooved	Ductile Iron	300 PSI
CHK321557-S	6"	Grooved	Ductile Iron	300 PSI
CHK321576-S	8"	Grooved	Ductile Iron	300 PSI
CHK321561-T	Trim for 2" "shotgun" check valve			
CHK321562-T	Trim for 2½" and 3" "shotgun" check valve			
CHK321563-T	Trim for 4", 6" and 8" "shotgun" check valve			

Butterfly Valves - Bronze and Ductile

Designed for use in fire sprinkler systems, these butterfly valves feature a slow close hand wheel operator to reduce water hammer.

Factory installed U/L listed double tamper switch for indoor and outdoor use.

U/L listed. Contact American Fire Supply for current approvals.

Part #	Size	Type	Material	Working Pressure
VAL311726	1"	Threaded	Bronze	175 PSI
VAL311736	1¼"	Threaded	Bronze	175 PSI
VAL311763	1¼"	Grooved	Bronze	175 PSI
VAL311746	1½"	Threaded	Bronze	175 PSI
VAL311764	1½"	Grooved	Bronze	175 PSI
VAL311756	2"	Threaded	Bronze	175 PSI
VAL311766	2"	Grooved	Bronze	175 PSI
VAL311761	2½"	Threaded	Bronze	175 PSI
VAL311774	2½"	Grooved	Bronze	175 PSI
VAL311785	2½"	Grooved	Ductile Iron	300 PSI
VAL311836	2½"	Wafer	Ductile Iron	300 PSI
VAL311790	3"	Grooved	Ductile Iron	300 PSI
VAL311839	3"	Wafer	Ductile Iron	300 PSI
VAL311795	4"	Grooved	Ductile Iron	300 PSI
VAL311846	4"	Wafer	Ductile Iron	300 PSI
VAL311805	6"	Grooved	Ductile Iron	300 PSI
VAL311861	6"	Wafer	Ductile Iron	300 PSI
VAL311815	8"	Grooved	Ductile Iron	300 PSI
VAL311871	8"	Wafer	Ductile Iron	300 PSI



VAL311756



VAL311790

Swing Check Valves - Ductile Iron

Used in fire sprinkler systems when it is necessary to permit water flow in one direction only. Swing check valves utilize a spring-loaded swing type clapper to prevent water flow in the reverse direction.

U/L Listed. Contact American Fire Supply for current approvals.

Part #	Size	Type	Material	Working Pressure
CHK321526	2"	Grooved	Ductile Iron	300 PSI
CHK321533	2½"	Grooved	Ductile Iron	300 PSI
CHK321539	3"	Grooved	Ductile Iron	300 PSI
CHK321547	4"	Grooved	Ductile Iron	300 PSI
CHK321557	6"	Grooved	Ductile Iron	300 PSI
CHK321576	8"	Grooved	Ductile Iron	300 PSI



CHK321539





Material Supplied - **AT&T Stadium, Dallas TX**

TRIM VALVES



Test & Drain Valves	14
Sight Glasses	14
Restricting Orifice Unions	14
Three-Way Gauge Valves	14
Globe Valves	15
Angle Valves	15
Ball Valves	15
OS&Y Valves	16
Adjustable Pressure Relief Valves	16
Boiler Drains	16
Swing Check Valves	17
Inline Spring Check Valves	17
Hose Bibbs	17

Test & Drain Valves

Our test & drain valve complies with NFPA 13 sprinkler systems. When not in the closed position, the valve can be either full open or tested through a 1/2" restricting orifice. Features (2) sight glasses for visibility during operation.



Part #	Size	Orifice
TESTDRAIN1	1" F NPT x 1" F NPT	1/2"
TESTDRAIN125	1 1/4" F NPT x 1 1/4" F NPT	1/2"
TESTDRAIN15	1 1/2" F NPT x 1 1/2" F NPT	1/2"
TESTDRAIN2	2" F NPT x 2" F NPT	1/2"

Sight Glasses

Constructed of heavy duty brass that features (2) high impact lexan windows. Typical use is for the sprinkler system inspectors' test trim.



Part #	Size	Orifice
SIGHTGLASS1	1" F NPT x 1" M NPT	N/A
SIGHTGLASS1R	1" F NPT x 1" F NPT	1/2"
SIGHTGLASS125	1 1/4" F NPT x 1 1/4" M NPT	N/A
SIGHTGLASS2	2" F NPT x 2" F NPT	N/A

Restricting Orifice Unions

Designed for use in the pressure sensing line for fire pump systems and jockey pumps to provide adequate pressure drop.



Part #	Size	Orifice
ORIFICEUNION	1/2" F NPT x 1/2" F NPT	3/32"

Three-Way Gauge Valves

Used to simplify the installation of sprinkler system pressure gauges. With the valve having the design of one inlet and two outlets, this allows for replacement of the system gauge without shutting down the water supply to the sprinkler system. This arrangement allows an inspector to test system pressure with another gauge through the second outlet. The second outlet is typically plugged during installation with a 1/4" NPT pipe plug.

300 PSI rated



Part #	Size	Finish
GAUGEVALVE	1/4" F NPT x 1/4" F NPT x 1/4" F NPT	Brass

Globe Valves

Designed for use in trim or drain applications. They are suitable for all regular pressure sprinkler systems.

Part #	Size & Configuration	Material
GV1/4	1/4" F NPT x 1/4" F NPT	Cast Brass
GV1/2	1/2" F NPT x 1/2" F NPT	Cast Brass
GV3/4	3/4" F NPT x 3/4" F NPT	Cast Brass
GV1	1" F NPT x 1" F NPT	Cast Brass
GV125	1 1/4" F NPT x 1 1/4" F NPT	Cast Brass
GV15	1 1/2" F NPT x 1 1/2" F NPT	Cast Brass
GV2	2" F NPT x 2" F NPT	Cast Brass



GV1/2

Angle Valves

Designed for use in trim or drain applications. They are suitable for all sprinkler systems. The most common use for the 2" size is as a system drain at the riser. These valves can also be used on both alarm valve and shotgun riser assemblies.

Part #	Size & Configuration	Material
AV1/2	1/2" F NPT x 1/2" F NPT	Cast Brass
AV3/4	3/4" F NPT x 3/4" F NPT	Cast Brass
AV1	1" F NPT x 1" F NPT	Cast Brass
AV125	1 1/4" F NPT x 1 1/4" F NPT	Cast Brass
AV15	1 1/2" F NPT x 1 1/2" F NPT	Cast Brass
AV2	2" F NPT x 2" F NPT	Cast Brass



AV15

Ball Valves

Used for fire sprinkler systems for trim, and test or drain applications. These ball valves provide rapid "on/off" control when flow is required. **Full port.**

Part #	Size	Body Material	Max
BV1/4	1/4"	Forged Brass	600 PSI
BV1/2	1/2"	Forged Brass	600 PSI
BV3/4	3/4"	Forged Brass	600 PSI
BV1	1"	Forged Brass	600 PSI
BV125	1 1/4"	Forged Brass	600 PSI
BV15	1 1/2"	Forged Brass	600 PSI
BV2	2"	Forged Brass	600 PSI



UL LISTED 37WL

OS&Y Valves - Bronze

Used for monitoring sprinkler systems. The valve stem is visible above the hand wheel when open, and concealed inside the valve body when closed. This allows for immediate visual confirmation that the valve is either “open” or “closed”.

Features a bronze body with cast iron hand wheel.

Can be fitted with an external tamper switch (sold by others) for central station or panel monitoring.

Part #	Size
OSY1	1" F NPT x 1" F NPT
OSY125	1¼" F NPT x 1¼" F NPT
OSY15	1½" F NPT x 1½" F NPT
OSY2	2" F NPT x 2" F NPT



Adjustable Pressure Relief Valves

Designed for use in sprinkler systems where pressure relief is required.

Features a diamond knurled adjustment cap for easy adjustment, as well as directional arrows on body for proper flow indication.

Can be adjusted from 75 - 175 PSI. Pressure markings on the adjustment cap are for reference only. An approved sprinkler system pressure gauge must be used for proper relief setting.

Body is cast bronze.

Part #	Size
APRV1/2	½" NPT



Boiler Drains

Used to drain water in a plumbing or heating system.

Features a cast brass body with cast iron hand wheel.

125 lb. CWP

Part #	Size
BOILERD1/2	½" M NPT x ¾" M GHT
BOILERD3/4	¾" M NPT x ¾" M GHT



Swing Check Valves

Designed to prevent backflow while maintaining full flow and very little turbulence or pressure loss.

Brass construction.

For horizontal installation only.



Part #	Size
SWCV1/2	1/2" F NPT x 1/2" F NPT
SWCV3/4	3/4" F NPT x 3/4" F NPT
SWCV1	1" F NPT x 1" F NPT
SWCV125	1 1/4" F NPT x 1 1/4" F NPT
SWCV15	1 1/2" F NPT x 1 1/2" F NPT
SWCV2	2" F NPT x 2" F NPT

Inline Spring Check Valves

Designed to prevent backflow.

Cast brass construction .

EPDM seat and seal.

Spring loaded, stainless steel spring, opens at 2 PSI.

For both horizontal and vertical installation.



Part #	Size
SPCV1/2	1/2" F NPT x 1/2" F NPT
SPCV3/4	3/4" F NPT x 3/4" F NPT
SPCV1	1" F NPT x 1" F NPT
SPCV125	1 1/4" F NPT x 1 1/4" F NPT
SPCV15	1 1/2" F NPT x 1 1/2" F NPT
SPCV2	2" F NPT x 2" F NPT

Hose Bibbs

Quarter turn butterfly handle. Forged brass body.

125 lb. CWP

Part #	Size
HOSEB1/2	1/2" M NPT x 3/4" M GHT
HOSEB3/4	3/4" M NPT x 3/4" M GHT





Material Supplied - **Bank of America Plaza, Atlanta GA**

FIRE DEPARTMENT CONNECTIONS



Flush Mount FDC Inlets	20 - 21
Free Standing FDC Inlets	22
Exposed FDC Inlets	23
Single Inlet FDCs	24
Single Outlet Wall Hydrants	24
Flush Mount Wall Hydrants	25
Flush Mount Test Headers	26
Derby Style Test Headers	27
Free Standing Hydrants	27
Free Standing Test Headers	28
Exposed Wall Hydrants	29
Hydrant Control Valves	29
Exposed Inlet (Bodies Only)	30
Exposed Outlet / Roof Manifold (Bodies Only)	31
Flush Mount Inlet (Bodies Only)	32
Inlet/Outlet Bodies (Clapperless)	32 - 33

Flush Mount FDC Inlet

Designed to provide supplemental water to a building's fire protection system. These units feature a body that's concealed behind a wall with only the plate, snoots, and plugs exposed.

250 GPM per inlet; 175 PSI max (2-way), 300 PSI max (3-way and larger)

U/L Listed (2-way only). Contact us for current approvals.



120PBSA

- Units come furnished with body, wall plate, snoots, and plugs & chains.
- 2-Way units use brass clappered bodies (sch 40 steel bodies w/ clappered snoots for vertical orientation), 3-Way and larger use sch 40 steel bodies and brass clappered snoots.

Part #	Type	Size & Configuration	Outlet Type	Outlet Location	A	B	C
120	2-Way	4" x 2½" x 2½"	Female NPT	Back	10¾"	6"	7"
121	2-Way	4" x 2½" x 2½"	Female NPT	Bottom	11"	5¾"	7"
122	2-Way	4" x 2½" x 2½"	Female NPT	Top	11"	5¾"	7"
123	2-Way	4" x 2½" x 2½"	Groove	Back	10¾"	6½"	7"
124	2-Way	4" x 2½" x 2½"	Groove	Bottom	11"	5¾"	7"
125	2-Way	4" x 2½" x 2½"	Groove	Top	11"	5¾"	7"
126	2-Way	6" x 2½" x 2½"	Female NPT	Back	12"	8¼"	7 5/8"
127	2-Way	6" x 2½" x 2½"	Female NPT	Bottom	12"	7½"	7 5/8"
128	2-Way	6" x 2½" x 2½"	Female NPT	Top	12"	7½"	7 5/8"
126G	2-Way	6" x 2½" x 2½"	Groove	Back	12"	8½"	7 5/8"
127G	2-Way	6" x 2½" x 2½"	Groove	Bottom	12"	7½"	7 5/8"
128G	2-Way	6" x 2½" x 2½"	Groove	Top	12"	7½"	7 5/8"
130	3-Way	6" x 2½" x 2½" x 2½"	Groove	End	25¾"	9¾"	7"
131	3-Way	6" x 2½" x 2½" x 2½"	Groove	Back	25¾"	12-5/8"	7"
132	3-Way	6" x 2½" x 2½" x 2½"	Groove	Top / Bottom	23¼"	9¾"	7"
133	3-Way	6" x 2½" x 2½" x 2½"	Female NPT	End	25¾"	9¾"	7"
134	3-Way	6" x 2½" x 2½" x 2½"	Female NPT	Back	25¾"	12-5/8"	7"
135	3-Way	6" x 2½" x 2½" x 2½"	Female NPT	Top / Bottom	23¼"	9¾"	7"
140	4-Way	6" x 2½" x 2½" x 2½" x 2½"	Groove	End	32¾"	9¾"	7"
141	4-Way	6" x 2½" x 2½" x 2½" x 2½"	Groove	Back	32¾"	12-5/8"	7"
142	4-Way	6" x 2½" x 2½" x 2½" x 2½"	Groove	Top / Bottom	30¼"	9¾"	7"
143	4-Way	6" x 2½" x 2½" x 2½" x 2½"	Female NPT	End	32¾"	9¾"	7"
144	4-Way	6" x 2½" x 2½" x 2½" x 2½"	Female NPT	Back	32¾"	12-5/8"	7"
145	4-Way	6" x 2½" x 2½" x 2½" x 2½"	Female NPT	Top / Bottom	30¼"	9¾"	7"
150	4-Way	6" x 2½" x 2½" x 2½" x 2½" (Square)	Groove	Top / Bottom	16¾"	8¾"	7"
151	4-Way	6" x 2½" x 2½" x 2½" x 2½" (Square)	Groove	Back	15¼"	11"	7"
160	6-Way	6" x 2½" x 2½" x 2½" x 2½" x 2½" x 2½"	Groove	End	46¾"	9¾"	7"
160-8	6-Way	8" x 2½" x 2½" x 2½" x 2½" x 2½" x 2½"	Groove	End	46¾"	12-7/8"	7"
161	6-Way	6" x 2½" x 2½" x 2½" x 2½" x 2½" x 2½"	Groove	Back	46¾"	12-5/8"	7"
161-8	6-Way	8" x 2½" x 2½" x 2½" x 2½" x 2½" x 2½"	Groove	Back	46¾"	18"	7"
162	6-Way	6" x 2½" x 2½" x 2½" x 2½" x 2½" x 2½"	Groove	Top / Bottom	44¼"	9¾"	7"
162-8	6-Way	8" x 2½" x 2½" x 2½" x 2½" x 2½" x 2½"	Groove	Top / Bottom	44¼"	12-7/8"	7"

Flush Mount FDC Inlet (Cont. from pg. 20)

Specify Finish:

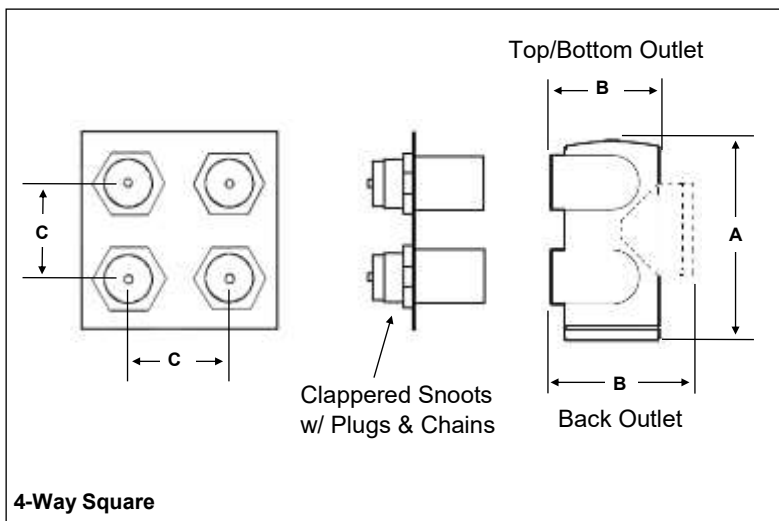
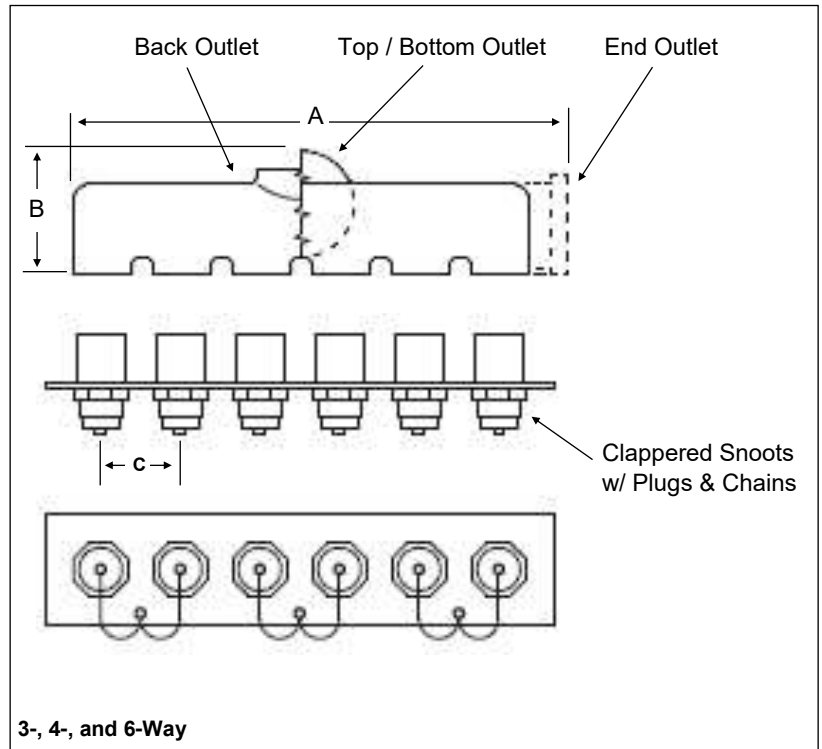
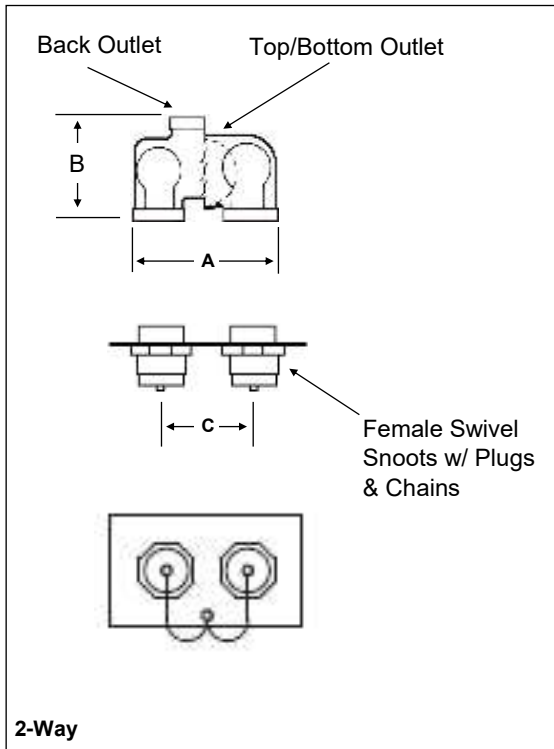
- RB Rough Brass
- PB Polished Brass
- PC Polished Chrome

Specify Wall Plate Lettering:

- A Auto Spkr
- SA Standpipe & Auto Spkr
- S Standpipe
- DS Dry Standpipe

Specify Orientation:

- Horizontal (standard)
- V Vertical



Free Standing FDC Inlet

Designed to provide supplemental water to a building's fire protection system. Typically, these units are installed free-standing outside of a building.

250 GPM per inlet

U/L Listed (2-way and 4-way only). Contact us for current approvals.

- Our Free Standing FDCs come furnished with body, plate, 18" sleeve, and plugs & chains.
- 4" 2-Way units have single swing clapper, all other units utilize individual drop clappers on each inlet.
- All 2-Way and 3-Way units use clappered bodies, 4-Way and larger use clappered snoots.



220RBSA

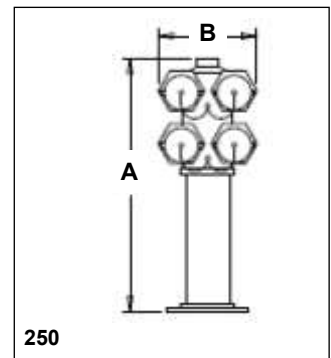
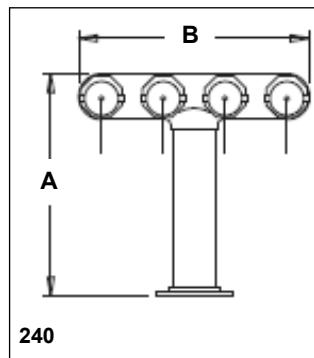
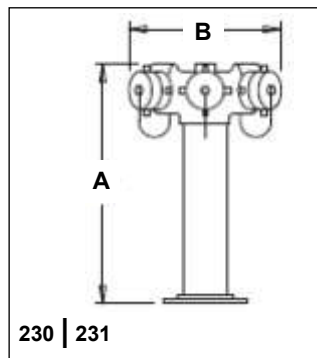
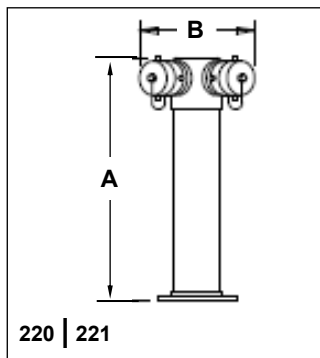
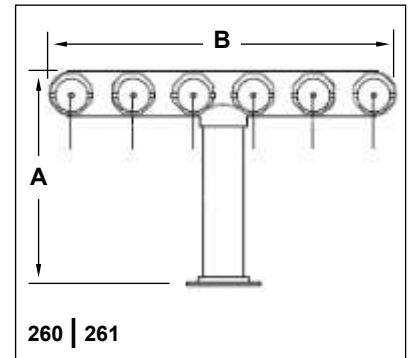
Part #	Type	Size & Configuration	Max PSI	A	B
220	2-Way	4" F NPT x (2) 2½" F NST	300 PSI	24"	8½"
221	2-Way	6" F NPT x (2) 2½" F NST	175 PSI	24"	12½"
230	3-Way	4" F NPT x (3) 2½" F NST	175 PSI	24"	14½"
231	3-Way	6" F NPT x (3) 2½" F NST	175 PSI	24"	14½"
240	4-Way	6" F NPT x (4) 2½" F NST	300 PSI	23-5/8"	23-9/16"
250	4-Way	6" F NPT x (4) 2½" F NST (Square)	300 PSI	35¾"	11"
260	6-Way	6" F NPT x (6) 2½" F NST	300 PSI	27"	46¼"
261	6-Way	8" F NPT x (6) 2½" F NST	300 PSI	30"	46¼"

Specify Finish:

- RB Rough Brass
- AL Rough Brass w/ Red Plate
- PB Polished Brass
- PC Polished Chrome

Specify Plate Lettering:

- A Auto Spkr
- S Standpipe
- SA Standpipe & Auto Spkr
- DS Dry Standpipe



Exposed FDC Inlet

Designed to provide supplemental water to a building's fire protection system. Typically, these units are wall mounted.

250 GPM per inlet

U/L Listed (2-way only). Contact us for current approvals.

- Our Exposed FDCs come furnished with body, wall plate, and plugs & chains.
- 4" 2-Way units have single swing clapper, all other units utilize individual drop clappers on each inlet.



320RBSA

Part #	Type	Size & Configuration	Max PSI	A	B	C
320	2-Way	4" F NPT x (2) 2½" F NST	300 PSI	6½"	9¼"	9½"
321	2-Way	4" Groove x (2) 2½" F NST	300 PSI	6½"	9¼"	9½"
322	2-Way	6" F NPT x (2) 2½" F NST	175 PSI	9¼"	13"	12"
330	3-Way	4" F NPT x (3) 2½" F NST	175 PSI	10¾"	13¾"	9½"
331	3-Way	6" F NPT x (3) 2½" F NST	175 PSI	10¾"	13¾"	12"

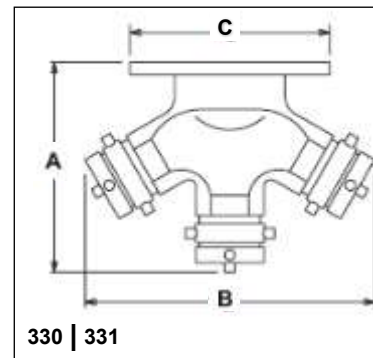
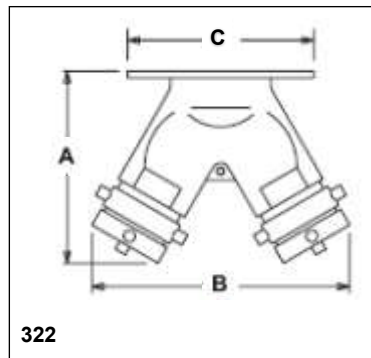
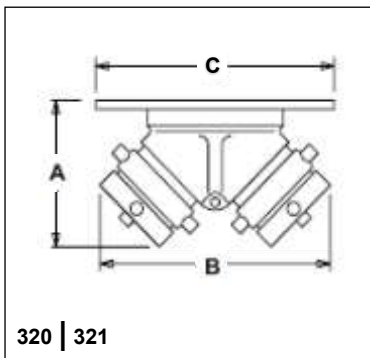
Specify Finish:

- RB Rough Brass
- AL Rough Brass w/ Red Plate
- PB Polished Brass
- PC Polished Chrome

Specify Wall Plate Lettering:

- A Auto Spkr
- S Standpipe
- SA Standpipe & Auto Spkr
- DS Dry Standpipe

- 321 Available in rough brass only.



Single Inlet FDCs

Used to provide supplemental water to a building's fire protection system.

Features a round, flush type appearance and unobstructed waterway.

- All units come complete with wall plate, swivel snoot, and plug & chain.
- Wall Plate Lettering: "Auto Spkr"



FDC111-01RB

Part #	Size & Configuration	Inlet Thread
FDC111-01	1½" F NPT x 1½" F NST Swivel	NST
FDC111-02	1½" F NPT x 1½" F NPSH Swivel	NPSH
FDC111-04	2½" F NPT x 2½" F NST Swivel	NST

Specify Finish:

- RB Rough Brass
- PB Polished Brass
- PC Polished Chrome

- FDC111-02 available in rough brass only

Single Outlet Wall Hydrants

Acts as an auxiliary connection for fire department use.

Features a round, flush type appearance and unobstructed waterway.

250 GPM

- All units come complete with wall plate, male snoot (hex adapter), and cap & chain.
- Wall Plate Lettering: "Wall Hydrant"



WH111-01RB

Part #	Size & Configuration	Outlet Thread
WH111-01	2½" F NPT x 2½" M NST	NST

Specify Finish:

- RB Rough Brass
- PB Polished Brass
- PC Polished Chrome

Flush Mount Wall Hydrants / Test Headers (Without Valves)

A hydrant provides an auxiliary outlet for fire department use, while a test header provides a means to flow test a fire pump. These flush mounted units feature a body that's typically concealed behind a wall with only the plate, male snoots, and caps exposed. 250 GPM per outlet.

- Our Flush Mount units come furnished with body, wall plate, male snoots (hex adapters), and caps & chains.



420PBWH

Part #	Type	Size & Configuration	Inlet Type	Inlet Location	A	B	C
420	2-Way	4" x 2½" x 2½"	Female NPT	Back	10¾"	6"	7"
421	2-Way	4" x 2½" x 2½"	Female NPT	Top / Bottom	11"	5¾"	7"
420G	2-Way	4" x 2½" x 2½"	Groove	Back	10¾"	6½"	7"
421G	2-Way	4" x 2½" x 2½"	Groove	Top / Bottom	11"	5¾"	7"
422	2-Way	6" x 2½" x 2½"	Female NPT	Back	12"	7½"	7 5/8"
423	2-Way	6" x 2½" x 2½"	Female NPT	Top / Bottom	12"	8½"	7 5/8"
422G	2-Way	6" x 2½" x 2½"	Groove	Back	12"	7½"	7 5/8"
423G	2-Way	6" x 2½" x 2½"	Groove	Top / Bottom	12"	7½"	7 5/8"
430	3-Way	6" x 2½" x 2½" x 2½"	Groove	End	25¾"	9¾"	7"
431	3-Way	6" x 2½" x 2½" x 2½"	Groove	Back	25¾"	12-5/8"	7"
432	3-Way	6" x 2½" x 2½" x 2½"	Groove	Top / Bottom	23¼"	9¾"	7"
433	3-Way	6" x 2½" x 2½" x 2½"	Female NPT	End	25¾"	9¾"	7"
434	3-Way	6" x 2½" x 2½" x 2½"	Female NPT	Back	25¾"	12-5/8"	7"
435	3-Way	6" x 2½" x 2½" x 2½"	Female NPT	Top / Bottom	23¼"	9¾"	7"
440	4-Way	6" x 2½" x 2½" x 2½" x 2½"	Groove	End	32¾"	9¾"	7"
441	4-Way	6" x 2½" x 2½" x 2½" x 2½"	Groove	Back	32¾"	12-5/8"	7"
442	4-Way	6" x 2½" x 2½" x 2½" x 2½"	Groove	Top / Bottom	30¼"	9¾"	7"
443	4-Way	6" x 2½" x 2½" x 2½" x 2½"	Female NPT	End	32¾"	9¾"	7"
444	4-Way	6" x 2½" x 2½" x 2½" x 2½"	Female NPT	Back	32¾"	12-5/8"	7"
445	4-Way	6" x 2½" x 2½" x 2½" x 2½"	Female NPT	Top / Bottom	30¼"	9¾"	7"
450	4-Way	6" x 2½" x 2½" x 2½" x 2½" (Square)	Groove	Back	15¼"	11"	7"
451	4-Way	6" x 2½" x 2½" x 2½" x 2½" (Square)	Groove	Top / Bottom	16¾"	8¾"	7"
460	6-Way	6" x 2½" x 2½" x 2½" x 2½" x 2½" x 2½"	Groove	End	46¾"	9¾"	7"
460-8	6-Way	8" x 2½" x 2½" x 2½" x 2½" x 2½" x 2½"	Groove	End	46¾"	12-7/8"	7"

Specify Finish:

- RB Rough Brass
- PB Polished Brass
- PC Polished Chrome

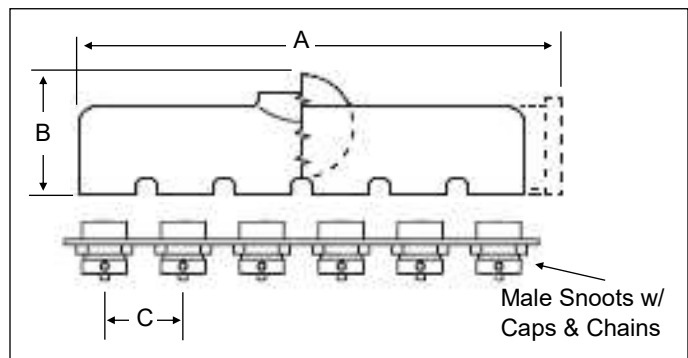
* Additional 6-way configurations available upon request

Specify Wall Plate Lettering:

- WH Wall Hydrant
- PT Fire Pump Test

Specify Orientation:

- Horizontal (standard)
- V Vertical



Flush Mount Test Headers (With Valves)

Provide a means to flow test a fire pump. These flush mounted units feature a body that's typically concealed behind a wall with only the plate, valves, and caps exposed.

250 GPM per outlet

- Our Flush Mount units come furnished with body, wall plate, wedge disc gate valves, and caps & chains.

520PBPT



Part #	Type	Size & Configuration	Inlet Type	Inlet Location	A	B	C
520	2-Way	4" x 2½" x 2½"	Female NPT	Back	10¾"	6"	7"
521	2-Way	4" x 2½" x 2½"	Female NPT	Top / Bottom	11"	5¾"	7"
520G	2-Way	4" x 2½" x 2½"	Groove	Back	10¾"	6½"	7"
521G	2-Way	4" x 2½" x 2½"	Groove	Top / Bottom	11"	5¾"	7"
522	2-Way	6" x 2½" x 2½"	Female NPT	Back	12"	7½"	7 5/8"
523	2-Way	6" x 2½" x 2½"	Female NPT	Top / Bottom	12"	8½"	7 5/8"
522G	2-Way	6" x 2½" x 2½"	Groove	Back	12"	7½"	7 5/8"
523G	2-Way	6" x 2½" x 2½"	Groove	Top / Bottom	12"	7½"	7 5/8"
530	3-Way	6" x 2½" x 2½" x 2½"	Groove	End	25¾"	9¾"	7"
531	3-Way	6" x 2½" x 2½" x 2½"	Groove	Back	25¾"	12-5/8"	7"
532	3-Way	6" x 2½" x 2½" x 2½"	Groove	Top / Bottom	23¼"	9¾"	7"
533	3-Way	6" x 2½" x 2½" x 2½"	Female NPT	End	25¾"	9¾"	7"
534	3-Way	6" x 2½" x 2½" x 2½"	Female NPT	Back	25¾"	12-5/8"	7"
535	3-Way	6" x 2½" x 2½" x 2½"	Female NPT	Top / Bottom	23¼"	9¾"	7"
540	4-Way	6" x 2½" x 2½" x 2½" x 2½"	Groove	End	32¾"	9¾"	7"
541	4-Way	6" x 2½" x 2½" x 2½" x 2½"	Groove	Back	32¾"	12-5/8"	7"
542	4-Way	6" x 2½" x 2½" x 2½" x 2½"	Groove	Top / Bottom	30¼"	9¾"	7"
543	4-Way	6" x 2½" x 2½" x 2½" x 2½"	Female NPT	End	32¾"	9¾"	7"
544	4-Way	6" x 2½" x 2½" x 2½" x 2½"	Female NPT	Back	32¾"	12-5/8"	7"
545	4-Way	6" x 2½" x 2½" x 2½" x 2½"	Female NPT	Top / Bottom	30¼"	9¾"	7"
550	4-Way	6" x 2½" x 2½" x 2½" x 2½" (Square)	Groove	Back	15¼"	11"	7"
551	4-Way	6" x 2½" x 2½" x 2½" x 2½" (Square)	Groove	Top / Bottom	16¾"	8¾"	7"
560	6-Way	6" x 2½" x 2½" x 2½" x 2½" x 2½" x 2½"	Groove	End	46¾"	9¾"	7"
560-8	6-Way	8" x 2½" x 2½" x 2½" x 2½" x 2½" x 2½"	Groove	End	46¾"	12-7/8"	7"

Specify Finish:

- RB Rough Brass
- PB Polished Brass
- PC Polished Chrome

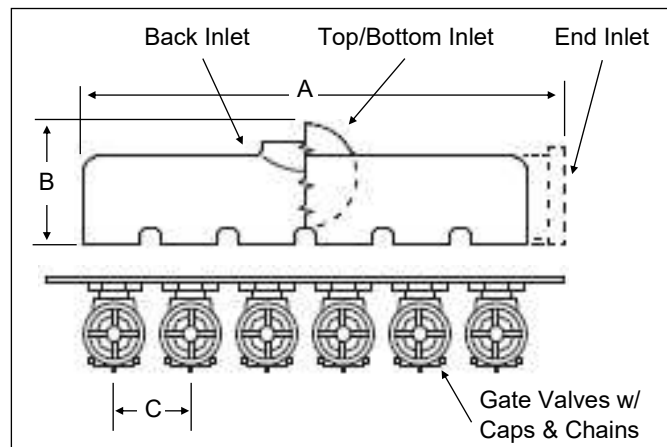
* Additional 6-way configurations available upon request

Specify Wall Plate Lettering:

- WH Wall Hydrant
- PT Fire Pump Test

Specify Orientation:

- Horizontal (standard)
- V Vertical



Derby Style Test Headers (Without Valves)

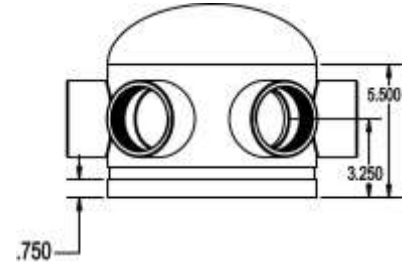
Provide a way to flow test a fire pump or backflow preventer. These units are designed to be wall mounted. Made from carbon steel with a red painted finish. **All outlets are 2½" female NPT thread.**

150# flanged inlet and grooved inlet are both standard.

300# flanged inlet available upon request.



PT262-02



Part #	Type	Size	Max GPM
PT231	3-Way	6" x (3) 2½" F NPT	750
PT232	3-Way	8" x (3) 2½" F NPT	750
PT241	4-Way	6" x (4) 2½" F NPT	1000
PT242	4-Way	8" x (4) 2½" F NPT	1000
PT261	6-Way	6" x (6) 2½" F NPT	1500
PT262	6-Way	8" x (6) 2½" F NPT	1500
PT282	8-Way	8" x (8) 2½" F NPT	2000
PT283	8-Way	10" x (8) 2½" F NPT	2000
PT203	10-Way	10" x (10) 2½" F NPT	2500
PT224	12-Way	12" x (12) 2½" F NPT	3000

Specify Inlet Type:

-01 150# Flange

-02 Groove

*** Other sizes and configurations available upon request.**

Free Standing Hydrants / Test Headers (Without Valves)

Hydrants provide a free standing auxiliary outlet for fire department use. Test headers provide a means to flow test a fire pump. **250 GPM per outlet**

- Our Free Standing Connections come furnished with body, plate, 18" sleeve, and caps & chains.



620RBH

Part #	Type	Size & Configuration	A	B
620	2-Way	4" F NPT x (2) 2½" M NST	24"	8½"
621	2-Way	6" F NPT x (2) 2½" M NST	24"	12½"
630	3-Way	6" F NPT x (3) 2½" M NST	24"	14½"

Specify Finish:

-RB Rough Brass

-AL Rough Brass w/ Red Plate

-PB Polished Brass

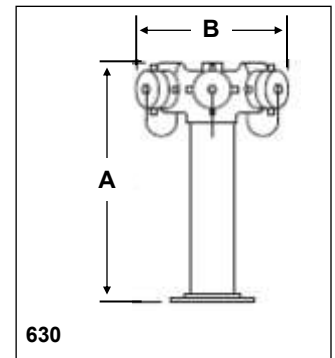
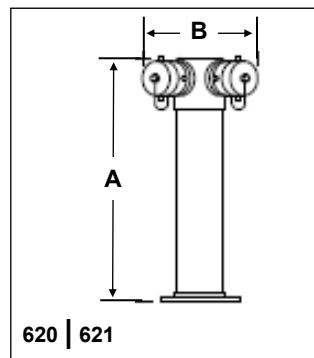
-PC Polished Chrome

Specify Plate Lettering:

-H Hydrant

-PT Fire Pump Test

-BT Backflow Test



Free Standing Test Headers (With Valves)

Provides a means to flow test a fire pump.

250 GPM per outlet

- Our Free Standing Test Headers come furnished with body, plate, 18" sleeve, N.R.S. gate valves, and caps & chains.
- 2-Way and 3-Way Standard Equipment: Outlet body constructed of brass, escutcheon plate, 18" long decorative sleeve, 2½" Female NPT x 2½" Male NST gate valves, and 2½" caps.
- 4-way and 6-way Standard Equipment: Outlet body constructed of brass, escutcheon plate, 18" long decorative sleeve, 3" Female NPT x 2½" Male NST gate valves (loose bonnet style), and 2½" caps.



720RBPT

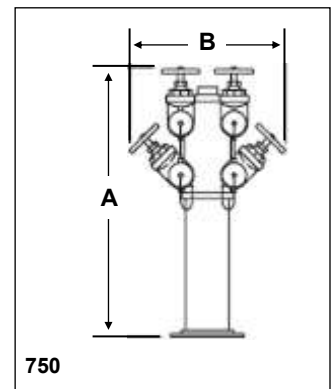
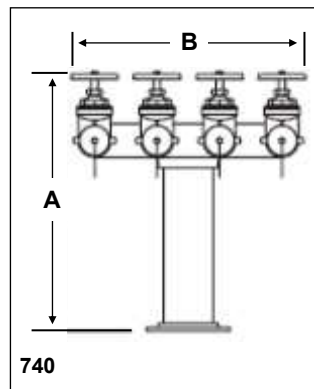
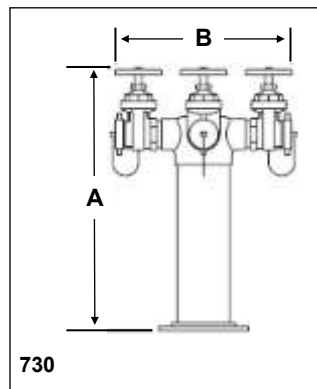
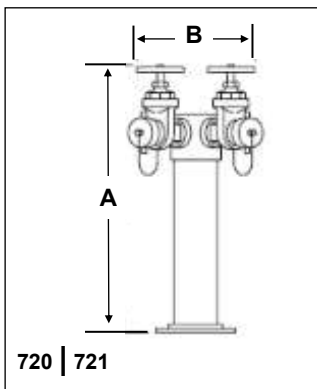
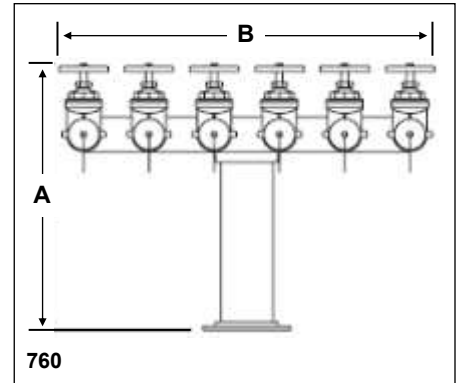
Part #	Type	Size & Configuration	A	B
720	2-Way	4" F NPT x (2) 2½" M NST	30"	13"
721	2-Way	6" F NPT x (2) 2½" M NST	30"	13"
730	3-Way	6" F NPT x (3) 2½" M NST	30"	19"
740	4-Way	6" F NPT x (4) 2½" M NST	29¼"	24-9/16"
750	4-Way	6" F NPT x (4) 2½" M NST (Square)	38¼"	21"
760	6-Way	8" F NPT x (6) 2½" M NST	36-1/8"	46¼"

Specify Finish:

- RB Rough Brass
- AL Rough Brass w/ Red Plate
- PB Polished Brass
- PC Polished Chrome

Specify Plate Lettering:

- H Hydrant
- PT Fire Pump Test
- BT Backflow Test



Exposed Wall Hydrants

Wall hydrants serve as an auxiliary connection for fire department use.

250 GPM per outlet

- Our Exposed Wall Hydrants come furnished with body, wall plate, and caps & chains.



820RBH

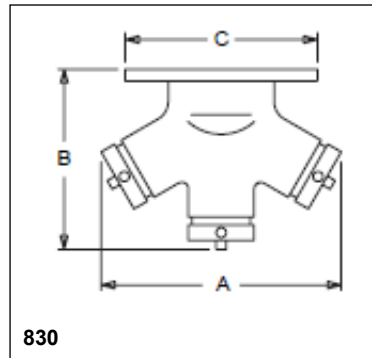
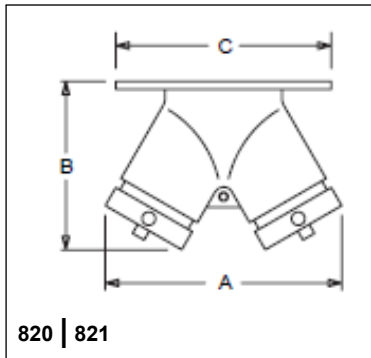
Part #	Type	Size & Configuration	A	B	C
820	2-Way	4" F NPT x (2) 2½" M NST	6¾"	5¼"	9½"
821	2-Way	6" F NPT x (2) 2½" M NST	8¼"	6¾"	12"
830	3-Way	6" F NPT x (3) 2½" M NST	15½"	10"	12"

Specify Finish:

- RB Rough Brass
- AL Rough Brass w/ Red Plate
- PB Polished Brass
- PC Polished Chrome

Specify Wall Plate Lettering:

- H Hydrant
- PT Fire Pump Test
- BT Backflow Test



Hydrant Control Valves

Remotely operates a non-rising stem gate valve by way of a 24" long x 7/8" square rod w/ coupling for attachment to the valve stem.

#900 is furnished w/ 7" square wall plate, threaded 1½" F NPT on back and 2½" M NST on front with cap and chain.

#901 is furnished w/ round base plate, threaded 1½" NPT on bottom side with brass sleeve and cap with chain.

#905 is a "T" style wrench for use with our hydrant control valves.

Part #	Type
900	Flush Mount
901	Free Standing
905	"T" Style Wrench

Specify Finish:

- PB Polished Brass (Standard)
- PC Polished Chrome



901PB

Exposed 2-Way and 3-Way Inlets

Designed to provide supplemental water to a building's fire protection system. Bodies are clappered.

250 GPM per inlet

300 PSI (1 clapper units), 175 PSI (2 & 3 clapper units)

U/L Listed (2-way only). Contact us for current approvals.



FDC221-10



FDC222-07

Straight Bodies

Part #	Type	Size & Configuration	Clappers	A	B	C
FDC221-10	2-Way	4" F NPT x (2) 2½" F NST	1	5 5/8"	8¼"	5 1/8"
FDC221-12	2-Way	4" Groove x (2) 2½" F NST	1	7 1/8"	8¼"	4½"
FDC221-01	2-Way	4" F NPT x (2) 2½" F NST	2	7¼"	11½"	5 1/8"
FDC221-04	2-Way	6" F NPT x (2) 2½" F NST	2	8½"	11¼"	7¼"
FDC231-05	3-Way	4" F NPT x (3) 2½" F NST	3	10½"	13¾"	5 1/8"
FDC231-01	3-Way	6" F NPT x (3) 2½" F NST	3	10½"	13¾"	7¼"

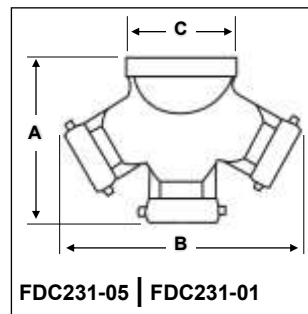
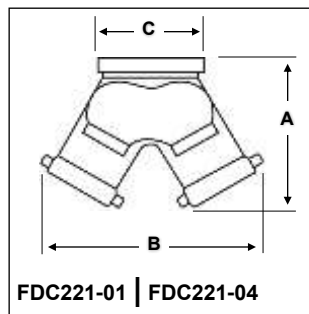
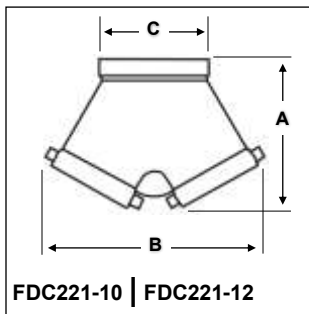
Specify Finish:

-RB Rough Brass

-PB Polished Brass

-PC Polished Chrome

• FDC221-12 Available in rough brass only



90° Bodies

Part #	Type	Size & Configuration	Clappers	A	B	C
FDC222-07	2-Way	4" F NPT x (2) 2½" F NST	1	8 1/8"	6½"	5 1/8"
FDC222-08	2-Way	4" Groove x (2) 2½" F NST	1	8 1/8"	6½"	5 1/8"
FDC222-01	2-Way	4" F NPT x (2) 2½" F NST	2	11¼"	8½"	5 1/8"
FDC222-04	2-Way	6" F NPT x (2) 2½" F NST	2	12½"	10 1/8"	7 3/8"
FDC232-05	3-Way	4" F NPT x (3) 2½" F NST	3	14½"	11½"	7 5/8"
FDC232-01	3-Way	6" F NPT x (3) 2½" F NST	3	14½"	11½"	7 5/8"

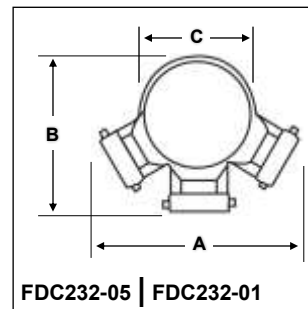
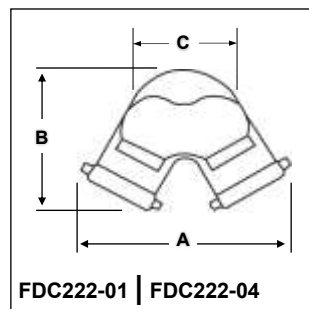
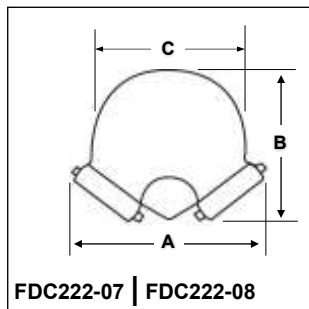
Specify Finish:

-RB Rough Brass

-PB Polished Brass

-PC Polished Chrome

• FDC222-08 Available in rough brass only



Exposed 2-Way and 3-Way Outlets

Designed for use as a roof manifold or hydrant, these bodies act as an auxiliary outlet for the fire department.

May also be used as a test header to flow test a fire pump or backflow preventer.

250 GPM per outlet.

Standard finish: Rough Brass



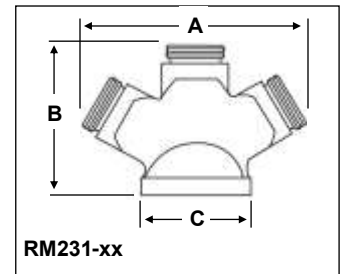
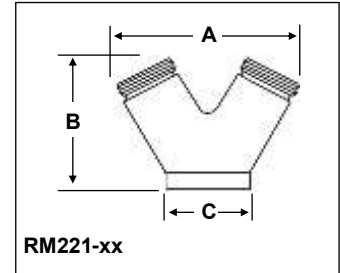
RM221-01



RM222-01

Straight Bodies

Part #	Type	Size	Outlet	A	B	C
RM221-01	2-Way	4" F NPT x (2) 2 1/2" Male	NPT	6 3/4"	4 7/8"	5"
RM221-13	2-Way	4" Groove x (2) 2 1/2" Male	NPT	6 3/4"	6 1/2"	4 1/2"
RM221-04	2-Way	4" F NPT x (2) 2 1/2" Male	NST	6 3/4"	4 7/8"	5"
RM221-07	2-Way	6" F NPT x (2) 2 1/2" Male	NPT	8 1/4"	6 3/8"	7 5/8"
RM221-08	2-Way	6" Groove x (2) 2 1/2" Male	NPT	8 1/4"	8"	7 5/8"
RM221-10	2-Way	6" F NPT x (2) 2 1/2" Male	NST	8 1/4"	6 3/8"	7 5/8"
RM231-01	3-Way	4" F NPT x (3) 2 1/2" Male	NPT	12 3/4"	8 3/4"	5 1/4"
RM231-03	3-Way	6" F NPT x (3) 2 1/2" Male	NPT	15 3/8"	9 3/4"	7 5/8"
RM231-04	3-Way	6" F NPT x (3) 2 1/2" Male	NST	15 3/8"	9 3/4"	7 5/8"



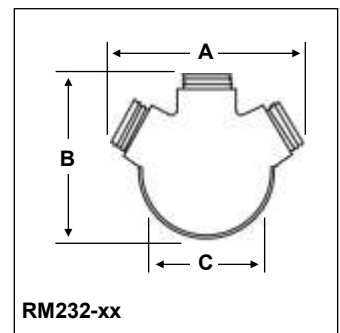
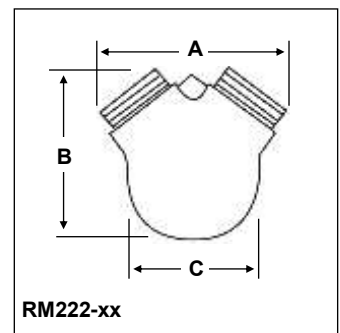
Specify Finish:

-RB Rough Brass -PB Polished Brass -PC Polished Chrome

- RM221-13 and RM221-08 Available in rough brass only

90° Bodies

Part #	Type	Size	Outlet	A	B	C
RM222-01	2-Way	4" F NPT x (2) 2 1/2" Male	NPT	6 7/8"	7 1/4"	5"
RM222-06	2-Way	4" Groove x (2) 2 1/2" Male	NPT	7 1/2"	7 1/4"	4 1/2"
RM222-04	2-Way	4" F NPT x (2) 2 1/2" Male	NST	6 7/8"	7 1/4"	5"
RM222-07	2-Way	6" F NPT x (2) 2 1/2" Male	NPT	9"	8 1/2"	7 1/2"
RM222-08	2-Way	6" F NPT x (2) 2 1/2" Male	NPT	9"	8 1/2"	7 1/2"
RM222-10	2-Way	6" F NPT x (2) 2 1/2" Male	NST	9"	8 1/2"	7 1/2"
RM232-01	3-Way	4" F NPT x (3) 2 1/2" Male	NPT	6 3/8"	9"	7"
RM232-03	3-Way	6" F NPT x (3) 2 1/2" Male	NPT	6 3/8"	10 1/2"	7 1/2"
RM232-04	3-Way	6" F NPT x (3) 2 1/2" Male	NST	6 3/8"	10 1/2"	7 1/2"



Specify Finish:

-RB Rough Brass -PB Polished Brass -PC Polished Chrome

- RM222-06 and RM222-08 Available in rough brass only

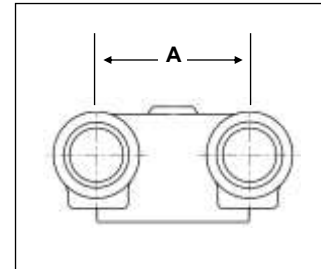
Flush Mount Inlets (Clappered)

Used by the fire department to supply additional water to a building's fire protection system. These flush mounted units are generally concealed behind the outside wall of the building. Bodies are constructed of cast brass.

250 GPM per inlet, each inlet features individual drop clapper. U/L Listed.



FDC121-01



Part #	Size	Outlet Type	Outlet Location	A
FDC121-01	4" x (2) 2½" F NPT	Female NPT	Back	7"
FDC122-01	4" x (2) 2½" F NPT	Female NPT	Bottom	7"
FDC123-01	4" x (2) 2½" F NPT	Female NPT	Top	7"
FDC121-03	4" x (2) 2½" F NPT	Groove	Back	7"
FDC122-03	4" x (2) 2½" F NPT	Groove	Bottom	7"
FDC123-03	4" x (2) 2½" F NPT	Groove	Top	7"
FDC121-023	6" x (2) 3" F NPT	Female NPT	Back	7 5/8"
FDC122-023	6" x (2) 3" F NPT	Female NPT	Bottom	7 5/8"
FDC123-023	6" x (2) 3" F NPT	Female NPT	Top	7 5/8"
FDC121-0233	6" x (2) 3" F NPT	Groove	Back	7 5/8"
FDC122-0233	6" x (2) 3" F NPT	Groove	Bottom	7 5/8"
FDC123-0233	6" x (2) 3" F NPT	Groove	Top	7 5/8"

Inlet / Outlet Connection Bodies (Clapperless)

Designed for a variety of uses: flush and free-standing FDCs, flush and free-standing test headers and hydrants, and roof manifolds.

2-Way bodies are cast brass (175 PSI max).

3-Way, 4-Way and 6-Way bodies are schedule 40 steel (300 PSI max).

*Brass and chrome finished bodies are cast brass (175 PSI max).

Steel bodies feature 1/2" drain plugs



FDC131-03SG

Part #	Type	Inlet		Outlets		Orientation	Finish
		Size	Type	(No.) & Size	Type		
PT121-01	2-Way	4"	Female NPT	(2) 2½"	Female NPT	Back Inlet	Rough Brass
PT122-01	2-Way	4"	Female NPT	(2) 2½"	Female NPT	Angle Inlet	Rough Brass
PT121-03	2-Way	4"	Groove	(2) 2½"	Female NPT	Back Inlet	Rough Brass
PT122-03	2-Way	4"	Groove	(2) 2½"	Female NPT	Angle Inlet	Rough Brass
PT121-023	2-Way	6"	Female NPT	(2) 3"	Female NPT	Back Inlet	Rough Brass
PT122-023	2-Way	6"	Female NPT	(2) 3"	Female NPT	Angle Inlet	Rough Brass
PT121-0233	2-Way	6"	Groove	(2) 3"	Female NPT	Back Inlet	Rough Brass
PT122-0233	2-Way	6"	Groove	(2) 3"	Female NPT	Angle Inlet	Rough Brass

Continued on page 33

Inlet / Outlet Connection Bodies (Clapperless) - Cont. from pg. 32

Part #	Type	Inlet		Outlets		Orientation	Finish
		Size	Type	(No.) & Size	Type		
FDC134-03SG	3-Way	6"	Groove	(3) 3"	Groove	End Inlet	Red Enamel
FDC131-03SG	3-Way	6"	Groove	(3) 3"	Groove	Back Inlet	Red Enamel
FDC132-03SG	3-Way	6"	Groove	(3) 3"	Groove	Angle Inlet	Red Enamel
FDC134-03S	3-Way	6"	Groove	(3) 3"	Female NPT	End Inlet	Red Enamel
FDC131-03S	3-Way	6"	Groove	(3) 3"	Female NPT	Back Inlet	Red Enamel
FDC132-03S	3-Way	6"	Groove	(3) 3"	Female NPT	Angle Inlet	Red Enamel
FDC134-01SG	3-Way	6"	Female NPT	(3) 3"	Groove	End Inlet	Red Enamel
FDC131-01SG	3-Way	6"	Female NPT	(3) 3"	Groove	Back Inlet	Red Enamel
FDC132-01SG	3-Way	6"	Female NPT	(3) 3"	Groove	Angle Inlet	Red Enamel
FDC134-01S	3-Way	6"	Female NPT	(3) 3"	Female NPT	End Inlet	Red Enamel
FDC131-01S	3-Way	6"	Female NPT	(3) 3"	Female NPT	Back Inlet	Red Enamel
FDC132-01S	3-Way	6"	Female NPT	(3) 3"	Female NPT	Angle Inlet	Red Enamel
FDC144-03SG	4-Way	6"	Groove	(4) 3"	Groove	End Inlet	Red Enamel
FDC141-03SG	4-Way	6"	Groove	(4) 3"	Groove	Back Inlet	Red Enamel
FDC142-03SG	4-Way	6"	Groove	(4) 3"	Groove	Angle Inlet	Red Enamel
FDC144-03S	4-Way	6"	Groove	(4) 3"	Female NPT	End Inlet	Red Enamel
FDC141-03S	4-Way	6"	Groove	(4) 3"	Female NPT	Back Inlet	Red Enamel
FDC142-03S	4-Way	6"	Groove	(4) 3"	Female NPT	Angle Inlet	Red Enamel
FDC144-01SG	4-Way	6"	Female NPT	(4) 3"	Groove	End Inlet	Red Enamel
FDC141-01SG	4-Way	6"	Female NPT	(4) 3"	Groove	Back Inlet	Red Enamel
FDC142-01SG	4-Way	6"	Female NPT	(4) 3"	Groove	Angle Inlet	Red Enamel
FDC144-01S	4-Way	6"	Female NPT	(4) 3"	Female NPT	End Inlet	Red Enamel
FDC141-01S	4-Way	6"	Female NPT	(4) 3"	Female NPT	Back Inlet	Red Enamel
FDC142-01S	4-Way	6"	Female NPT	(4) 3"	Female NPT	Angle Inlet	Red Enamel
FDC142-01RB	4-Way	6"	Female NPT	(4) 3"	Female NPT	Angle Inlet	Rough Brass
FDC142-01RC	4-Way	6"	Female NPT	(4) 3"	Female NPT	Angle Inlet	Rough Chrome
FDC146-03SG	4-Way (Square)	6"	Groove	(4) 3"	Groove	Back Inlet	Red Enamel
FDC146-03S	4-Way (Square)	6"	Groove	(4) 3"	Female NPT	Back Inlet	Red Enamel
FDC145-03SG	4-Way (Square)	6"	Groove	(4) 3"	Groove	Angle Inlet	Red Enamel
FDC145-03S	4-Way (Square)	6"	Groove	(4) 3"	Female NPT	Angle Inlet	Red Enamel
FDC145-01RB	4-Way (Square)	6"	Female NPT	(4) 3"	Female NPT	Angle Inlet	Rough Brass
FDC145-01RC	4-Way (Square)	6"	Female NPT	(4) 3"	Female NPT	Angle Inlet	Rough Chrome
FDC164-03SG	6-Way	6"	Groove	(6) 3"	Groove	End Inlet	Red Enamel
FDC164-03S	6-Way	6"	Groove	(6) 3"	Female NPT	End Inlet	Red Enamel
FDC162-01RB	6-Way	6"	Female NPT	(6) 3"	Female NPT	Angle Inlet	Rough Brass
FDC162-01RC	6-Way	6"	Female NPT	(6) 3"	Female NPT	Angle Inlet	Rough Chrome
FDC164-04SG	6-Way	8"	Groove	(6) 3"	Groove	End Inlet	Red Enamel
FDC164-04S	6-Way	8"	Groove	(6) 3"	Female NPT	End Inlet	Red Enamel
FDC162-02RB	6-Way	8"	Female NPT	(6) 3"	Female NPT	Angle Inlet	Rough Brass
FDC162-02RC	6-Way	8"	Female NPT	(6) 3"	Female NPT	Angle Inlet	Rough Chrome



Material Supplied - **Berklee College of Music, Boston MA**

FDC ACCESSORIES



Caps & Chains	36
Reducers	36
Breakable Caps	36
Ball Drips	36
Plugs & Chains	37
Clappered Snoots	37
Female Swivel Snoots	37
Brass Check Valves	37
Male Snoots	38
Sleeves	38
Round Single Hole Wall Plates	38
Rectangular Wall Plates	39
Fire Department Connection Signs	39
FDC Swivel Kits	39

Caps & Chains

Designed to protect male threads on valves and reducers. Also prevents entry of foreign matter. Pin lugs are standard.

Standard Material: Cast Brass; Optional: High Strength Polycarbonate

Part #	Size	Thread
31015-1	1½"	NST
31015-3	1½"	NPSH
31025-1	2½"	NST
31045-1	4½"	NST
3106-1	6"	NST

Specify Finish:

- RB Rough Brass -PC Polished Chrome
 -PB Polished Brass -PL Red Plastic

- 31045-1RB and 3106-1RB Available in rough brass only



31015-1RB

Reducers - Female to Male

Used to reduce or change fire hose threads. Pin lugs are standard.

Standard Material: Cast Brass; Optional: High Strength Polycarbonate

Part #	Size	Thread
327-1	2½" x 1½"	NST x NST
327-3	2½" x 1½"	NST x NPSH

Specify Finish:

- RB Rough Brass -PC Polished Chrome
 -PB Polished Brass -PL Red Plastic



327-1RB

Breakable Caps

Designed to protect 2½" female swivel threads with pin lugs; and also allow for quick access when a hose connection is necessary.

The caps are made with scored tabs that allow the fire department to easily remove by striking with a hydrant wrench or similar tool.

Sold in pairs complete with eye bolts and nuts.

Part #	Size	Finish
BRKCAP	2½"	Red Plastic
BRKCAP-MS	2½"	Red Aluminum



BRKCAP

Ball Drips

Designed to prevent moisture from collecting inside fire department connection bodies. For horizontal installation only.

Part #	Size	Finish
BD1/2	1/2"	Brass
BD3/4	3/4"	Brass



BD1/2

Plugs & Chains

Designed to protect female swivel threads on fire department connections. Also prevents entry of foreign matter. Pin lugs are standard.

Standard Material: Cast Brass; Optional: High Strength Polycarbonate

Part #	Size	Thread
311-1	2½"	NST

Specify Finish:

- RB Rough Brass -PC Polished Chrome
 -PB Polished Brass -PL Red Plastic



311-1RB

Clappered Snoots

Act as inlets on concealed, multiple inlet fire department connections. They feature an internal swinging drop clapper (check) which prevents the backflow of water. All come standard with pin lugs. **Rated for 300 PSI**

Construction Material: Cast Brass

Part #	Size & Configuration
720	2½" Female NST Swivel x 3" Male NPT Rigid
721	2½" Female NST Swivel x 3" Female NPT Rigid

Specify Finish:

- PB Polished Brass
 -PC Polished Chrome



721PC



Female Swivel Snoots

Act as inlets in concealed and single-inlet fire department connections. They feature a wide hex-shaped flange to secure FDC wall plates and provide a finished look. Pin lugs are standard. Construction material: Cast Brass

Part #	Size & Configuration
160	2½" Female NST Swivel x 2½" Female NPT Rigid

Specify Finish:

- RB Rough Brass
 -PB Polished Brass
 -PC Polished Chrome



160RB

Check Valves - Brass

Equipped with a spring-loaded clapper assembly making it applicable for vertical or horizontal installation. These check valves have a ½" tap and plug.

Part #	Configuration	Material	Take-out
CHKGG	Groove x Groove	Brass	7.95"
CHKGM	Groove x M NPT	Brass	8.18"
CHKFM	F NPT x M NPT	Brass	7.95"

Specify Size:

- 15 1½" -3 3"
 -2 2" -4 4"
 -25 2½"



CHKFM-4

Male Snoots

Act as outlets in concealed test headers and single-outlet connections. They feature a wide hex-shaped flange to keep FDC wall plates secure and provide a finished look.

Construction Material: Cast Brass



163A25RB

Part #	Size & Configuration
163A25	2½" Male NST x 2½" Female NPT Rigid
163A3	2½" Male NST x 3" Female NPT Rigid

Specify Finish:

- RB** Rough Brass
- PB** Polished Brass
- PC** Polished Chrome

Sleeves

A decorative item designed to conceal the pipe in a free standing fire department connection.

Standard length: 18". Custom lengths up to 36" available upon request.

Available in sizes to fit 4", 6", and 8" pipe.

Finishes: Brass, Chrome

Part #	Size
SLEEVE4	4" x 18"
SLEEVE6	6" x 18"
SLEEVE8	8" x 18"

Specify Finish:

- PB** Polished Brass
- PC** Polished Chrome



SLEEVE6PB

Round Single Hole Plates

Used to identify and trim exposed storz and fire department connections.

Available Finishes: Red Aluminum, Rough Brass, Polished Brass, Polished Chrome

Thickness = 1/4"

Must specify finish and lettering. Custom lettering available upon request.



590-4ALA

Part #	Size
24209-25	2½"
590-4	4"
590-6	6"
590-8	8"

Specify Finish:

- AL** Red Aluminum
- RB** Rough Brass
- PB** Polished Brass
- PC** Polished Chrome

• 2½" & 8" not available in -AL

Specify Lettering:

- A** Auto Spkr
- S** Standpipe
- SA** Stdpipe & Auto Spkr
- DS** Dry Standpipe
- H** Hydrant
- PT** Fire Pump Test
- BT** Backflow Test (4" & 6" only)

Rectangular Wall Plates

Used to identify and trim flush mounted FDCs.

Available in 2-, 3-, 4-, and 6-Hole, as well as horizontal and vertical configurations.

* ESCH-2H also available with 7-5/8" center-to-center dim.



ESCH-4H-PBSA

Part #	Orientation	# of Holes	A	B	C	Thickness
ESCH-2H	Horizontal	2	15"	9"	7"	1/8"
ESCH-3H	Horizontal	3	19 7/8"	9"	7"	1/8"
ESCH-4H	Horizontal	4	30"	9"	7"	1/8"
ESCH-6H	Horizontal	6	44"	9"	7"	1/8"
ESCH-2V	Vertical	2	9"	15"	7"	1/8"
ESCH-3V	Vertical	3	9"	19 7/8"	7"	1/8"
ESCH-4V	Vertical	4	9"	30"	7"	1/8"
ESCH-6V	Vertical	6	9"	44"	7"	1/8"
ESCH-4S	Square	4	16"	16"	7"	1/8"

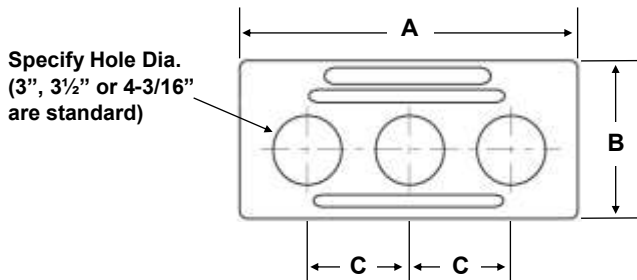
Specify Finish:

- PB Polished Brass
- PC Polished Chrome

Specify Lettering:

- A Auto Spkr
- S Standpipe
- SA Stdpipe & Auto Spkr
- DS Dry Standpipe
- WH Wall Hydrant
- PT Fire Pump Test

• Custom lettering available upon request



- 3" holes designed for 2 1/2" gate valves (# VAL53-25)
- 3 1/2" holes are designed for 3" gate valves (# VAL53-3), 2 1/2" female swivel snoots (# 160), and 2 1/2" male snoots (# 163A25)
- 4-3/16" holes are designed for clappered snoots (# 721) and 3" male snoots (# 163A3)

Fire Department Connection Signs

Used to identify fire department connections. Finish: Red Aluminum

Part #	Size
SIGN8X4FDC	8" x 4"



FDC Swivel Kits

Replacements for any of our brass or chrome FDC and valve swivels.

NST thread only. Comes with set screw, gasket, and ball bearings.

Part #	Size
SWIVELKIT	2 1/2"

Specify Finish:

- RB Rough Brass
- PC Polished Chrome





Material Supplied - **Purdue University, West Lafayette IN**

POST INDICATORS & ACCESSORIES



Vertical Post Indicators	42
Wall Post Indicators	42
Non-Rising Stem Gate Valves	42
Supervisory Switches	42
Non-Rising Stem Gate Valves w/ Post Flange	43
OS&Y Gate Valves	43
Flange Packs	43

Vertical Post Indicators

Provides a means to operate a buried or inaccessible non-rising stem gate valve, as well as indicates whether the valve is in the open or shut position.

UL Listed. Contact American Fire Supply for current approvals.

Adjustable for any valve bury depth up to 15' (to middle of trench).

For use with NRS gate valves ranging from 4" through 12" in size.

Part #	Configuration
PIV-VERTICAL	Adjustable



Wall Post Indicators

Provides a means to operate a non-rising stem gate valve that is located behind a wall, as well as indicates whether the valve is in the open or shut position. Post flange has an OD of 12"

UL Listed. Contact American Fire Supply for current approvals.

Part #	Notes
PIV-WALL	Hand Wheel Operated



Supervisory Switches

Accommodates up to 12 AWG wire. 100% synchronization activates both alarm panel and local bell simultaneously. UL Listed.

Part #	Notes
SS-PIBV2	For post indicator and butterfly valves w/ rising or falling flags
SS-OSY2	For OS&Y gate valves from 1" to 12"



Non-Rising Stem Gate Valves

Used primarily to control water flow in sprinkler systems. Comes equipped with a 2" operating nut or optional hand wheel.

300 PSI Rated, UL Listed. Contact us for current approvals.

Part #	Size
NRS4L	4"
NRS6L	6"
NRS8L	8"
NRS10L	10"
NRS12L	12"

Specify End Connections:

- GG** Groove x Groove
- FF** Flange x Flange
- MJ** Mechanical Joint x Mechanical Joint
- FMJ** Flange x Mechanical Joint



Non-Rising Stem Gate Valve w/ Post Flange

Used primarily to control water flow in sprinkler systems. Valve features a post flange that is designed for use with our vertical post indicator. Comes with a 2" operating nut. 300 PSI Rated, UL Listed. Contact us for current approvals.

Part #	Size
NRS4	4"
NRS6	6"
NRS8	8"
NRS10	10"
NRS12	12"

Specify End Connections:

- GG** Groove x Groove
- FF** Flange x Flange
- MJ** Mechanical Joint x Mechanical Joint
- FMJ** Flange x Mechanical Joint



OS&Y Gate Valves

An OS&Y (outside stem & yoke) gate valve is commonly used to control water flow in sprinkler systems. Additionally, the valve stem is visible above the hand wheel when open, and concealed inside the valve body when closed, providing immediate visual confirmation that the valve is either "open" or "closed".

300 PSI Rated, UL Listed. Contact us for current approvals.

Part #	Size
OSY25	2½"
OSY3	3"
OSY4	4"
OSY6	6"
OSY8	8"
OSY10	10"
OSY12	12"

Specify End Connections:

- GG** Groove x Groove
- FF** Flange x Flange
- FG** Flange x Groove



Flange Packs

Ring style flange pack. Each pack contains a 1/8" red rubber gasket w/ correct number of zinc plated nuts and bolts. Each pack is for (1) flanged connection.

Part #	Size
FLANGEPACK25	2½"
FLANGEPACK3	3"
FLANGEPACK4	4"
FLANGEPACK6	6"
FLANGEPACK8	8"
FLANGEPACK10	10"
FLANGEPACK12	12"





Material Supplied - TWA Hotel at JFK Airport, Queens NY

SPRINKLER HEAD ACCESSORIES



Flexible Sprinkler Drops	46
Commercial Riser Manifolds	46
Water Flow Switches	47
Alarm Bells and Back Boxes	47
Expansion Tanks	47
Sprinkler Line Testers	48
Sprinkler Escutcheons	48
Sprinkler Head Boxes	48
Sprinkler Extension Nipples	48
Sprinkler Head Guards	49
Sprinkler Gauges and Gauge Kits	49

Flexible Sprinkler Drops

Unlike traditional hard-piped fire protection systems, flexible sprinkler drops allow engineers, architects, contractors and building owners a degree of versatility and reduction in installation time thus reducing labor significantly. UL Listed. Contact us for current approvals. Stainless steel construction.

We offer (4) options:

SprinkFlex: Economical 3-piece flexible sprinkler drop.

Ultra SprinkFlex: 3-piece flexible sprinkler drop with 1" diameter hose.

FlexHead: The original 1-piece flexible sprinkler drop with 1" diameter hose.

FlexHead SuperFlex: 1-piece flexible sprinkler drop with 1" diameter hose with the ability to have a 2" bend radius.



Hoses

SprinkFlex		Ultra SprinkFlex		FlexHead		FlexHead SuperFlex	
Part #	Length	Part #	Length	Part #	Length	Part #	Length
SFB28-7	28"	USFB28	28"	FHB24	24"	—	—
SFB40-7	40"	USFB40	40"	FHB36	36"	SFHB36	36"
SFB48-7	48"	USFB48	48"	FHB48	48"	SFHB48	48"
SFB59-7	59"	USFB59	59"	FHB60	60"	—	—
SFB71-7	71"	USFB71	71"	FHB72	72"	SFHB72	72"

Specify Head Size:

-H 1/2"

-T 3/4"

Brackets

Part #	Bracket Type	Notes
SFIPT24BKT1	Standard	Fits SprinkFlex and Ultra SprinkFlex
FH24T	Multi-port	Fits FlexHead
SFH24T	Multi-port Tall	Fits FlexHead SuperFlex

Commercial Riser Manifolds

The commercial riser manifolds are designed for use in wet sprinkler systems and meet all NFPA requirements. They allow for system tests with the included test & drain valve. Also included are a pressure gauge, flow switch, and 3-way gauge valve.



Part #	Size	Trim
RISER2	2" Groove x 2" Groove	1" test & drain
RISER25	2½" Groove x 2½" Groove	1¼" test & drain
RISER3	3" Groove x 3" Groove	1¼" test & drain
RISER4	4" Groove x 4" Groove	2" test & drain
RISER6	6" Groove x 6" Groove	2" test & drain

Water Flow Switches

The System Sensor WFDN series is compatible with schedule 7 through 40 steel pipe for sizes 2" through 4"; and compatible with schedule 10 through 40 steel pipe for sizes 5" through 8". Can be mounted in a vertical or horizontal position.

The System Sensor WFDTN T-tap water flow detector is designed for signaling in residential systems and branch line signaling.



Part #	Size
WFD20N	2"
WFD25N	2½"
WFD3N	3"
WFD4N	4"
WFD5N	5"
WFD6N	6"
WFD8N	8"
WFDTN	Fits 1" - 2"

Alarm Bells & Back Boxes

Alarm bells provide an audible notification of flow within a sprinkler system or tampering with a monitored valve. Each bell is complete and provides 4 wire connectivity for through wiring to additional devices. UL Listed.

The back box for our alarm bells is made from high impact ABS thermoplastic, which is corrosion proof and suitable for temperatures from -13° F to 140° F.



Part #	Size
02-452	6" 120VAC Alarm Bell
02-452-50	6" 24VDC Alarm Bell
02-450	10" 120VAC Alarm Bell
02-450-50	10" 24VDC Alarm Bell
02-454	Alarm Bell Back Box

Expansion Tanks

A rubber bladder filled expansion tank designed for use on antifreeze based fire sprinkler systems per the requirements of NFPA 13, 13D, and 13R. An expansion tank regulates pressure caused by thermal expansion and contraction within the closed system.

Compatible with both propylene glycol and glycerin based antifreeze. UL Listed.

Part #	Size
EXPTANK2.5G	2½ Gallon Expansion Tank



Sprinkler Line Testers

For installing the last sprinkler head on system branch lines. Controls water flow for flushing or testing of the system. Brass construction. Accommodates a 1/2" sprinkler head.



Part #	Size
LINETEST	1" F NPT inlet x 1" M NPSH outlet w/ cap & chain

Sprinkler Escutcheons

Provide a finished look to a sprinkler head installation.

Escutcheons are made from light gauge steel or plastic and are coated/plated for decorative purposes only.

Part #	Head Size	# of Pieces	Style
SPKES312090	1/2"	1	Standard
SPKES312091	3/4"	1	Standard
SPKES325426	1/2"	2	Recessed
SPKES325427	3/4"	2	Recessed
SPKES312074	1/2"	2	Extended
SPKES312079	3/4"	2	Extended



Specify Finish:

- W White
- PC Polished Chrome



Sprinkler Head Boxes

Designed to allow for spare 1/2" and 3/4" sprinkler head storage as required by NFPA guidelines. Features a hinged door for protection from the elements, as well as a back panel with two holes for attachment to most surfaces.

Part #	Capacity	Finish
HEADBOX6	6 Heads	Red Steel
HEADBOX12	12 Heads	Red Steel
HEADBOX24	24 Heads	Red Steel



HEADBOX6

Sprinkler Extension Nipples

Part #	Size
SPKEXT12	1/2" long x 1/2" NPT
SPKEXT34	3/4" long x 1/2" NPT
SPKEXT1	1" long x 1/2" NPT
SPKEXT15	1 1/2" long x 1/2" NPT
SPKEXT2	2" long x 1/2" NPT
SPKEXT12-34	1/2" long x 3/4" NPT

Sprinkler extension nipples are designed to be used to extend the thread of a sprinkler head when a drop nipple length has been cut too short or when the finished ceiling has changed from it's original location.

*THIS PRODUCT IS SOLD AS IS AND WITH ALL FAULTS. PROPER INSTALLATION IS REQUIRED TO AVOID RISK OF FAILURE. AMERICAN FIRE SUPPLY WILL MAKE NO WARRANTY OF ANY KIND FOR THIS PRODUCT. DO NOT EXCEED 15 LBS OF TORQUE!



SPKEXT12

Sprinkler Head Guards

Designed to protect heads from damage in areas where light impact can be expected. Typical areas of usage include storage racks, warehouses, and other applications where sprinkler heads are exposed to potential damage.

Part #	Head Size / Type	Finish
SPKGD1	1/2" and 3/4" non-recessed	Red Steel
SPKGD1C	1/2" and 3/4" non-recessed	Chrome
SPKGD2	1/2" non-recessed (2-piece)	Red Steel
SPKGDREC	1/2" recessed	Chrome



Fire Sprinkler Pressure Gauges

Feature an impact and corrosion resistant case made from ABS plastic. Phosphor bronze bourdon tube movement with white enameled brass dial face with large numbers for easy reading.

Sizes: 4" (100 mm) face with 1/4" NPT lower mount

Accuracy Class: +/- 3% of span (ASME B40.100 Grade B)

Working Pressure: Steady - 3/4 of full scale value; Fluctuating - 2/3 of full scale value; Short Time - full scale value

Operating Temperature: Ambient - -40°F to 140°F; Media - 140°F maximum

Temperature Error: Additional error when temperature changes from reference temperature of 68°F +0.4% for every 18°F rising or falling. Percentage of span.



Part #	Description
GAU11-550	Water Gauge 0-300 PSI
GAU11-551	Air Gauge 0-300 PSI
GAU11-552	Air Gauge w/ Retard 0-80 PSI, retard to 250 PSI
GAU11-553	Air/Water Gauge 0-300 PSI
GAU11-555	Residential 2" Sprinkler Gauge 0-300 PSI

* Contact us for current listings and approvals

* Personalized gauges available upon request.

Gauge Kits

Provide everything needed to install a fire sprinkler gauge to a riser or other device. Each kit contains a pressure gauge, 1/4" brass 3-way valve, 1/4" x 1/2" galvanized reducer, 1/4" x 4" galvanized pipe nipple and a 1/4" IPS galvanized plug.

Part #	Description
GAU11-565	Pressure Gauge Kit, Water
GAU11-566	Pressure Gauge Kit, Air-Water
GAU11-567	Pressure Gauge Kit, Air
GAU11-568	Pressure Gauge Kit, Air w/ Retard



* Personalized gauges available upon request.



Material Supplied - **John Hancock Tower, Boston MA**

STORZ CONNECTIONS



Straight Storz Connections	52
30° Storz Connections	52
90° Storz Connections	52
Storz Hydrant Converters	53
Storz Caps & Chains	53
Siamese Storz Connections	53

Storz Connections

Typically used as an auxiliary inlet to help supplement a fire protection system's water supply. Enables quick connection of large diameter hose by the fire department to the fire sprinkler or standpipe systems.

Forged and extruded 6061-T6 aluminum.

Rated for up to 250 PSI.

Meets or exceeds NFPA 1963 requirements.

Cap & chain included.



Part #	Type	Size
SZ25X25	Straight	2½" Storz x 2½" F NPT
SZ4X15	Straight	4" Storz x 1½" F NPT
SZ4X2	Straight	4" Storz x 2" F NPT
SZ4X25	Straight	4" Storz x 2½" F NPT
SZ4X3	Straight	4" Storz x 3" F NPT
SZ4X4	Straight	4" Storz x 4" F NPT
SZ4X6	Straight	4" Storz x 6" F NPT
SZ5X4	Straight	5" Storz x 4" F NPT
SZ5X6	Straight	5" Storz x 6" F NPT
SZ6X6	Straight	6" Storz x 6" F NPT
SZ4X430R	30° Angle	4" Storz x 4" F NPT
SZ4X630R	30° Angle	4" Storz x 6" F NPT
SZ5X430R	30° Angle	5" Storz x 4" F NPT
SZ5X630R	30° Angle	5" Storz x 6" F NPT
SZ6X630R	30° Angle	6" Storz x 6" F NPT
SZ4X490	90° Angle	4" Storz x 4" F NPT
SZ4X690	90° Angle	4" Storz x 6" F NPT
SZ5X490	90° Angle	5" Storz x 4" F NPT
SZ5X690	90° Angle	5" Storz x 6" F NPT
SZ6X690	90° Angle	6" Storz x 6" F NPT
SZ4X4120	120° Angle	4" Storz x 4" F NPSH
SZ4X6120	120° Angle	4" Storz x 6" F NPSH
SZ5X4120	120° Angle	5" Storz x 4" F NPSH
SZ5X6120	120° Angle	5" Storz x 6" F NPSH

Specify Finish:

- K** Grey Powder Coat (Standard)
- PB** Polished Brass
- PC** Polished Chrome

- Brass and chrome only available on 4" x 4", 5" x 4", 4" x 6", and 5" x 6"

Specify "T" Option for 30° Angle "Raleigh" Type:

- T** 30° Angled Storz x Rigid NPSH, with ½" NPT pipe drop and tee union, ½" ball drip valve, ½" ball valve with ½" x ½" pipe nipple.



Optional Accessories



Round Wall Plates
(Pg. 38)
Variety of options available



Sleeves
(Pg. 38)
Variety of options available

Storz Hydrant Converters

Permanently convert a fire hydrant outlet from threads to a storz connection. Set screws are on the collar of the storz to ensure its permanent fixture to a fire hydrant.

Cap & cable included.

Quick field retro-fit in under 10 minutes.

Standard finish: Dark grey anodized hard coat



Part #	Size
SZ4X45	4" Storz x 4½" F NST
SZ5X45	5" Storz x 4½" F NST

Storz Caps

Used in conjunction with a storz connection to prevent debris from entering the system. Locks securely into place with a simple 1/4 turn.

* Test caps come with 1" F NPT tapped hole in center.

Part #	Size	Style
SZCAP25	2½"	Standard Cap
SZCAP4	4"	Standard Cap
SZCAP5	5"	Standard Cap
SZCAP6	6"	Standard Cap
SZCAP4-TEST	4"	Test Cap
SZCAP5-TEST	5"	Test Cap
SZCAP6-TEST	6"	Test Cap

Specify Finish:

- K** Grey Powder Coat (Standard)
- PB** Polished Brass
- PC** Polished Chrome

- Brass and chrome only available on 4" x 4", 5" x 4", 4" x 6", and 5" x 6"

- Test Caps available with black hardcoat aluminum finish only



SZCAP4K

Siamese Storz Connections

Combination of a storz with a traditional threaded siamese (2-way) FDC. Generally mounted to the exterior wall of a building, siamese storz connections give fire fighters the option of attaching a large diameter hose with storz couplings or a smaller diameter fire hose with 2½" threaded couplings.

Finish: Powder coated red FDC body with anodized storz and swivels.

Includes red plastic plugs.



* shown without mating storz adapter or 2½" plugs

Part #	Size
SZ11A	4" Female NPT x 4" Storz x (2) 2½" F NST
SZ11B	4" Female NPT x 5" Storz x (2) 2½" F NST
SZ11C	6" Female NPT x 5" Storz x (2) 2½" F NST
SZ11D	6" Female NPT x 4" Storz x (2) 2½" F NST



Material Supplied - John A Delaney Student Union, Jacksonville FL

SEISMIC CABLE BRACING



Cable Spools	56
Swaging and Crimping Tools	56
Attachment Hardware	57
Cable Cutters	57

Cable Spools

Lengths of cable are cut to make cable assemblies made in the field with attachment hardware and to make field changes. There is 250' of cable on each spool making each spool easy to move around job sites. Cable spools are especially convenient in jobs where many different cable lengths are needed.

Used in combination with Loos attachment hardware to make secure brace connections that are stronger than the cable itself.

Cable is color coded and pre-stretched.

U/L listed, ECC ES listed, and FBC certified

Part #	Size & Color	Load Rating
GO3-CBL	250' Spool (Gold)	600 lbs
OR4-CBL	250' Spool (Orange)	1100 lbs
GR6-CBL	250' Spool (Green)	2667 lbs
BL8-CBL	250' Spool (Black)	4400 lbs



GO3-CBL



OR4-CBL



GR6-CBL



BL8-CBL

Swaging & Crimping Tools

Designed for swaging oval sleeves onto cable.

Our battery operated swaging & crimping tool eliminates the need to swage Loos zinc-plated oval sleeves by hand. The included long-lasting, fast charge lithium ion batteries provide strong, portable power at all times.

Using the correct tool and following proper swaging instructions will ensure proper cable connections that exceed the breaking strength of the cable.

Part #	Description
0-3-SBHS	Hand swaging tool for Gold cable
3-346-SB	Hand swaging tool for Gold, Orange, and Green cable
0-1/4	Hand swaging tool for Black cable
HC-5010-SB	Battery powered swaging tool for Gold, Orange, Green and Black cable



0-3-SBHS



3-346-SB



0-1/4



HC-5010-SB

Attachment Hardware

1. SAF (Seismic Anchoring Fittings) - Designed for use as connection fittings for anchorage to structure, or as connection to braced components. The hole in the tab can accommodate our gold, orange, and green cable without a thimble and with bolt hole sizes of 1/4", 3/8", 1/2", 5/8", 3/4", 7/8", 1" & 1 1/4".

2. SAFR (Seismic Anchoring Fitting Retrofit) - These fittings are used in the same manner as the SAF, except they're slotted to permit a hex nut on an existing component to be loosened, the SAFR positioned and the hex nut re-tightened. The SAFR is available for gold and orange cable. All bolt hole sizes from 1/4" through 5/8" are available.

3. Zinc-plated oval sleeves - Used to secure gold, orange, green, and black seismic cable connections. Loos' Zinc-plated oval sleeves are the only acceptable method to make secure connections to Loos' Seismic Bracing Cable.



Part #	Size	Description
SAF-1/4	1/4"	Seismic Anchoring Fitting
SAF-1/2	1/2"	Seismic Anchoring Fitting
SAF-3/8	3/8"	Seismic Anchoring Fitting
SAF-5/8	5/8"	Seismic Anchoring Fitting
SAF-3/4	3/4"	Seismic Anchoring Fitting
SAF-7/8	7/8"	Seismic Anchoring Fitting
SAF-1	1"	Seismic Anchoring Fitting
SAF-1-1/4	1 1/4"	Seismic Anchoring Fitting
SAFR-1/4	1/4"	Seismic Anchoring Fitting Retrofit
SAFR-3/8	3/8"	Seismic Anchoring Fitting Retrofit
SAFR-1/2	1/2"	Seismic Anchoring Fitting Retrofit
SAFR-5/8	5/8"	Seismic Anchoring Fitting Retrofit
GO3-SLV	for Gold cable	Zinc Plated Oval Sleeve (Box of 100)
OR4-SLV	for Orange cable	Zinc Plated Oval Sleeve (Box of 100)
GR6-SLV	for Green cable	Zinc Plated Oval Sleeve (Box of 100)
BL8-SLV	for Black cable	Zinc Plated Oval Sleeve (Box of 50)

Cable Cutters

Lightweight enough for overhead cutting, yet strong enough for underwater work. They feature plastic-coated handles, as well as a hardened and tempered blade with triangular cutting action.

Part #	Description
C7	For cutting Gold and Orange cable
C9	For cutting Green and Black cable





Material Supplied - **Devon Tower, Oklahoma City OK**

FIRE EXTINGUISHERS



Dry Chemical ABC Extinguishers	60
CO2 Extinguishers	60
Class D Dry Powder Extinguishers	61
Halotron Extinguishers	61
Water and Water Mist Extinguishers	62
Wet Chemical K Type Extinguishers	62
Wheeled Extinguishers	63
Extinguisher Covers	63

Dry Chemical ABC Extinguishers

Uses a multipurpose extinguishing agent that is suitable for Class A, B, and C fires.

UL & ULC Listed

Temperature range: -65° to 120° F

Aluminum valve (brass valve on 30 lb model).

Mounting bracket included.



Part #	Capacity	Mounting Type	UL/ULC Rating	Height	Width	Diam.	Ship Wt.
EXT25ABCV	2½ lbs	Vehicle	1-A: 10-B:C	14¾"	4 7/8"	3 3/8"	5½ lbs
EXT5ABC	5 lbs	Wall	3-A: 40-B:C	16 3/8"	7¼"	4¼"	10 lbs
EXT5ABCV	5 lbs	Vehicle	3-A: 40-B:C	16 3/8"	7¼"	4¼"	10¼ lbs
EXT10ABC	10 lbs	Wall	4-A: 80-B:C	21"	7¾"	5 1/8"	18¼ lbs
EXT20ABC	20 lbs	Wall	10-A: 120-B:C	21¼"	8¾"	7½"	33½ lbs
EXT30ABC	30 lbs	Wall	10-A: 160-B:C	27 3/8"	8¾"	7½"	52¼ lbs

Spot Protection Extinguishers

An automatic type fire extinguisher designed to supply supplementary fire protection for certain applications. Also known as Mini-Guard automatic spot protection extinguishers, these are designed for single unit installations. Typical uses include the protection of specialized equipment used in business or manufacturing processes or for specific fire risk areas such as flammable liquid storage rooms and small electronic data storage rooms.



- Charged with multipurpose ABC dry chemical agents (standard).
- Charged with halotron agents upon request (optional).
- Each extinguisher is fitted with a detection sprinkler head that is rated at 165°.
- Not intended as a substitute for automatic sprinkler systems, fixed pre-engineered or engineered extinguishing systems; and not intended to be multiple mounted.

Part #	Capacity	Orientation	Notes
EXT10MINI-H	10 lbs	Horizontal	No Bracket
EXT10MINI-HBR	10 lbs	Horizontal	With Bracket
EXT10MINI-V	10 lbs	Vertical	No Bracket
EXT20MINI-H	20 lbs	Horizontal	No Bracket
EXT20MINI-HBR	20 lbs	Horizontal	With Bracket
EXT20MINI-V	20 lbs	Vertical	No Bracket

Carbon Dioxide Extinguishers

Uses a trusted non-conductive clean agent and is most efficient for dealing with electronic equipment fires. CO2 is advisable for use on Class B and Class C fires.

UL & ULC Listed

Temperature range: -22° to 120° F

Rechargeable.

Aluminum valve.

Mounting bracket included.



Part #	Capacity	Mounting Type	UL/ULC Rating	Height	Width	Diam.	Ship Wt.
EXT5CO2	5 lbs	Wall	5-B:C	17 3/8"	8 1/4"	5 1/4"	13 3/4 lbs
EXT10CO2	10 lbs	Wall	10-B:C	19 3/4"	12"	7"	27 3/4 lbs
EXT15CO2	15 lbs	Wall	10-B:C	26 3/8"	12"	7"	37 3/4 lbs
EXT20CO2	20 lbs	Wall	10-B:C	26 7/8"	13"	8"	49 lbs

Halotron Extinguishers

Halotron is a clean, non-conductive gaseous agent that is an excellent replacement for Halon 1211 extinguishers. Also, unlike traditional dry chemical extinguishers, which can be corrosive, Halotron I is a clean agent that leaves zero residue after use, and consequently causes little to no collateral damage on equipment in the proximity of the fire.

Suitable for Class A, B, and C fires.

UL & ULC Listed

Temperature range: -40° to 120° F

Rechargeable.

Aluminum valve.

Mounting bracket included.



Part #	Capacity	Mounting Type	UL/ULC Rating	Height	Width	Diam.	Ship Wt.
EXT25HAL	2 1/2 lbs	Wall	2-B:C	13 3/8"	6 3/4"	3 3/8"	5 1/2 lbs
EXT25HALV	2 1/2 lbs	Vehicle	2-B:C	13 3/8"	5 5/8"	3 3/8"	5 1/2 lbs
EXT5HAL	5 lbs	Wall	5-B:C	16 3/8"	7 1/4"	4 1/4"	10 lbs
EXT5HALV	5 lbs	Vehicle	5-B:C	16 3/8"	7 1/4"	4 1/4"	10 1/4 lbs
EXT11HAL	11 lbs	Wall	1-A: 10-B:C	17 1/2"	8 5/8"	7"	21 1/4 lbs
EXT155HAL	15 1/2 lbs	Wall	2-A: 10-B:C	17 1/2"	8 5/8"	7"	25 3/4 lbs

Water and Water Mist Extinguishers

Offer effective and affordable protection for common combustible fires. Both the water and water mist units have Schrader valves incorporated into the valve assemblies for convenient recharge with a standard bicycle pump.

The water mist unit uses deionized water and uses a particular spray nozzle. These aspects make it safe for use on energized electrical equipment. Water mist is designed to be the extinguisher of choice for libraries and hospitals.

UL & ULC Listed

Temperature range: 40° to 120° F

Rechargeable.

Aluminum valve.

Mounting bracket included.



Part #	Type	Capacity	Mounting Type	UL/ULC Rating	Height	Width	Diam.	Ship Wt.
EXT25GAL	Water	2½ gallons	Wall	2-A	24½"	9"	7"	Empty: 8.3 lbs
EXT25GALM	Mist	2½ gallons	Wall	2-A:C	28"	14"	7"	Full: 30¼ lbs

Wet Chemical K Type Extinguishers

Contain a combination of potassium acetate and potassium citrate that is highly effective in suppressing high temperature fires associated with cooking oils and grease. These units include a spray nozzle that ensures the agent is applied in moderation to the burning oil thus preventing splashing. Its cooling properties deliver remarkable heat absorption guaranteeing the fire remains out. We chemical is suitable for use on Class A and K fires.

Typically used in commercial kitchens, this extinguisher is engineered to complement existing pre-engineered hood systems.

UL & ULC Listed

Temperature range: 40° to 120° F

Rechargeable.

Aluminum valve.

Mounting bracket included.



Part #	Capacity	Mounting Type	UL/ULC Rating	Height	Width	Diam.	Ship Wt.
EXT6K	6 liters	Wall	1-A:K	19¼"	9"	7"	22¾ lbs
EXT25K	2½ gallons	Wall	1-A:K	24½"	9"	7"	30 lbs

Wheeled Extinguishers

Designed for large-scale fire protection needs. Available in Dry Chemical (ABC), Halotron (ABC), and Carbon Dioxide (BC) varieties with different size options as well.

Engineered for one man operation, these units are easily transportable through doorways and over rough terrain. All models are rechargeable and meet applicable UL requirements.



Part #	Capacity	UL/JLC Rating	Discharge Time	Range	Unit Wt.
EXT50ABCW	50 lbs	10-A: 160-B:C	35 sec.	25' - 35'	154 lbs
EXT125ABCW	125 lbs	30-A: 240-B:C	47 sec.	30' - 40'	300 lbs
EXT65HALW	65 lbs	4-A: 40-B:C	17 sec.	15' - 25'	252 lbs
EXT150HALW	150 lbs	10-A: 80-B:C	23 sec.	23' - 36'	396 lbs
EXT50CO2W	50 lbs	20-B:C	40 sec.	15'	286 lbs
EXT100CO2W	100 lbs	20-B:C	80 sec.	15'	416 lbs

Extinguisher Covers

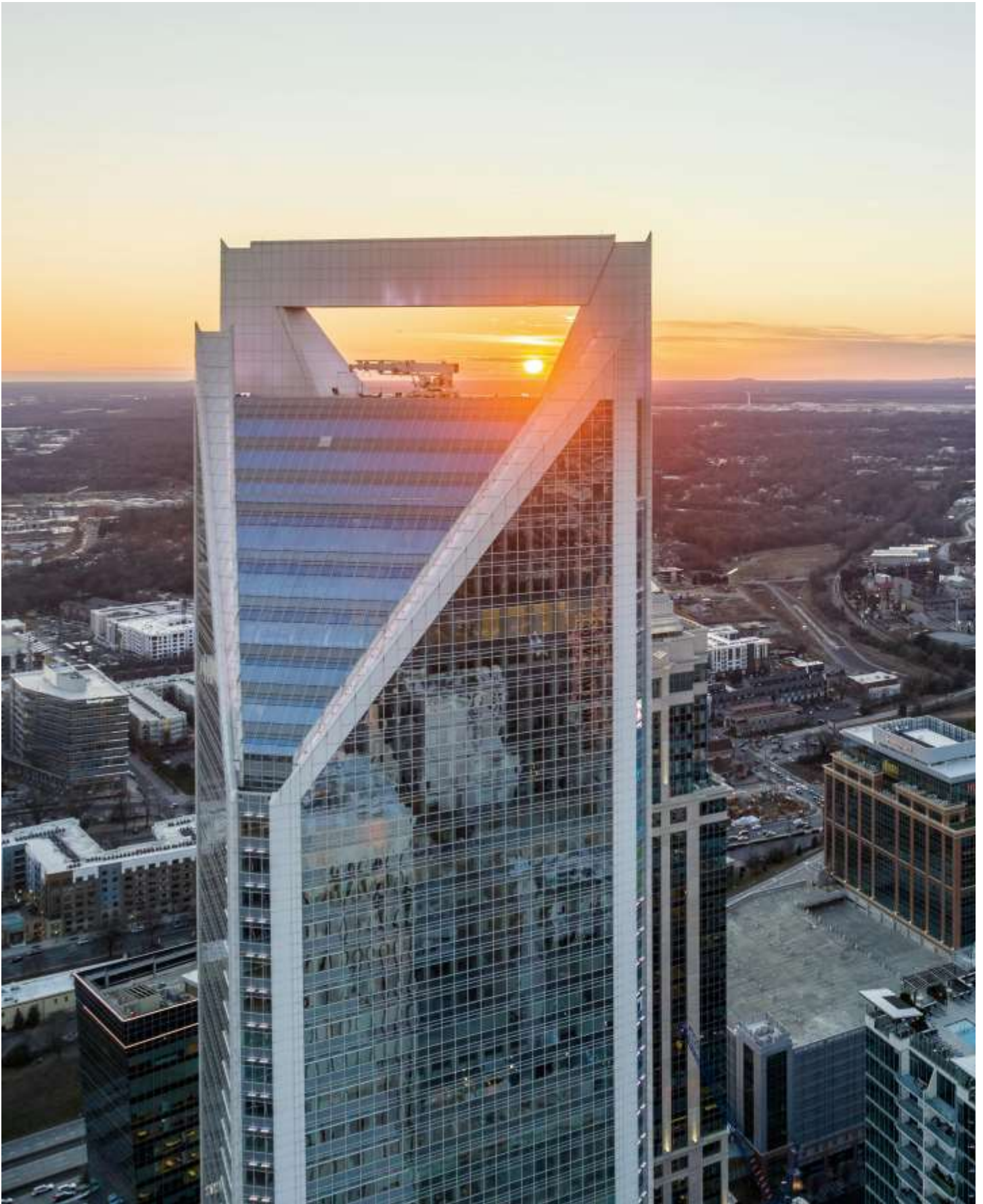
Our vinyl fire extinguisher covers prolong equipment life and deter tampering. The covers also assist in the identification and location of extinguishers that may not easily be seen.

Made from water and mildew resistant reinforced vinyl (PVC).

Feature hook & loop fasteners for quick release.



Part #	Size	Finish	Notes
COVERFE1W	20" H x 12½" W	Red PVC	Fits 5 lb. - 10 lb. extinguishers
COVERFE2W	26" H x 16" W	Red PVC	Fits 10 lb. (tall) - 20 lb. extinguishers
COVERFE3W	32" H x 16" W	Red PVC	Fits 30 lb. extinguishers
COVERWFE50	47" H x 23" W x 26" D	Red PVC	Fits 50 lb. wheeled extinguishers
COVERWFE150	52" H x 30" W x 46" D	Red PVC	Fits 125 lb. - 150 lb. wheeled extinguishers



Material Supplied - Duke Energy Center, Charlotte NC

FIRE HOSES



Single Jacket Fire Hose	66
Double Jacket Fire Hose	66
Rubber Covered Fire Hose	67
Rack Hose	67
Double Jacket LDH	68
Rubber Covered LDH	68
Forestry Hose	69
Booster Hose	69
PVC Suction Hose	69

Single Jacket Fire Hose

Typically used for wash down, maintenance, mill discharge, and construction use due to its 250PSI service pressure rating.

Manufactured in accordance with National Fire Protection Association (NFPA) standards, current edition. The polyester construction is mildew & rot-proof.



Part #	Size
HSE15-25SJ1	1½" x 25'
HSE15-5SJ1	1½" x 50'
HSE15-75SJ1	1½" x 75'
HSE15-1SJ1	1½" x 100'
HSE25-25SJ1	2½" x 25'
HSE25-5SJ1	2½" x 50'
HSE25-75SJ1	2½" x 75'
HSE25-1SJ1	2½" x 100'

Specify Color:

- White
- Y Yellow
- R Red
- O Orange
- B Blue
- G Green
- T Tan

- 250 PSI service pressure - 500 PSI test pressure
- 100% polyester jacket w/ EPDM rubber lining
- Standard color: White
- Standard coupling material: Aluminum
- Brass couplings available upon request.
- Standard coupling thread spec: NST (hose thread)
- Optional coupling thread spec: NPSH (straight pipe thread)

Double Jacket Fire Hose

Typically used for municipal attack line, supply line, industrial fire fighting, master stream appliance, and crash/fire rescue due to its 400PSI service pressure rating.

Manufactured in accordance with National Fire Protection Association (NFPA) standards, current edition. The double jacket polyester construction is mildew & rot-proof.



Part #	Size
HSE15-25DJ1	1½" x 25'
HSE15-5DJ1	1½" x 50'
HSE15-75DJ1	1½" x 75'
HSE15-1DJ1	1½" x 100'
HSE175-5DJ1	1¾" x 50'
HSE175-1DJ1	1¾" x 100'
HSE25-25DJ1	2½" x 25'
HSE25-5DJ1	2½" x 50'
HSE25-75DJ1	2½" x 75'
HSE25-1DJ1	2½" x 100'
HSE3-25DJ1	3" x 25'
HSE3-5DJ1	3" x 50'
HSE3-1DJ1	3" x 100'

Specify Color:

- White
- Y Yellow
- R Red
- O Orange
- B Blue
- G Green
- T Tan

- 400 PSI service pressure - 800 PSI test pressure
- 100% polyester inner & outer jacket w/ EPDM rubber lining
- Standard color: White
- Standard coupling material: Aluminum
- Brass couplings available upon request.
- Standard coupling thread spec: NST (hose thread)
- Optional coupling thread spec: NPSH (straight pipe thread)

*** Not recommended for low flow nozzles**

Rubber Covered Fire Hose

Typically used for municipal attack line, industrial construction, relay pumping, master stream appliance, and crash/fire rescue.

Manufactured in accordance with the NFPA standard. The nitrile construction can pack wet and is mildew resistant. Rubber covered fire hose offers additional abrasion resistance than a traditional polyester jacketed fire hose.



Part #	Size
HSE15-25RC1	1½" x 25'
HSE15-5RC1	1½" x 50'
HSE15-75RC1	1½" x 75'
HSE15-1RC1	1½" x 100'
HSE175-5RC1	1¾" x 50'
HSE175-1RC1	1¾" x 100'
HSE25-25RC1	2½" x 25'
HSE25-5RC1	2½" x 50'
HSE25-75RC1	2½" x 75'
HSE25-1RC1	2½" x 100'
HSE3-5RC1	3" x 50'
HSE3-1RC1	3" x 100'

Specify Color:

- Y Yellow
- R Red

- 300 PSI service pressure - 600 PSI test pressure
- 100% synthetic yarn reinforcement, locked-in by synthetic, extruded-through-the-weave nitrile rubber (ribbed outer cover, smooth inner liner)
- Standard colors: Red, Yellow
- Additional colors also available
- Standard coupling material: Aluminum
- Standard coupling thread spec: NST (hose thread)
- Optional coupling thread spec: NPSH (straight pipe thread)

Rack Hose

Designed for interior fire fighting use, standpipe hose, pin racks, and/or fire hose cabinets in buildings, parking lots, and hotels, etc.

Manufactured in accordance with NFPA standards.



Part #	Size	Thread
HSERH50-1B	1½" x 50'	NST
HSERH75-1B	1½" x 75'	NST
HSERH100-1B	1½" x 100'	NST
HSERH50-3B	1½" x 50'	NPSH
HSERH75-3B	1½" x 75'	NPSH
HSERH100-3B	1½" x 100'	NPSH

- 250 PSI service pressure - 500 PSI test pressure
- 100% filament polyester jacket w/ TPU lining
- UL Listed. Contact us for current approvals.
- Standard color: White
- Standard coupling material: Brass
- Standard coupling thread spec: NST (hose thread)
- Optional coupling thread spec: NPSH (straight pipe thread)

Double Jacket LDH

Typically used for municipal and rural water supply, relay pumping, master stream appliance, crash/fire rescue, industrial fire fighting, and potable water transfer. Shorter lengths are frequently used as soft suction hose.

Manufactured in accordance with National Fire Protection Association (NFPA) standards, current edition. The polyester construction is mildew & rot-proof.



Part #	Size
HSE4-25DJSZ	4" x 25'
HSE4-5DJSZ	4" x 50'
HSE4-1DJSZ	4" x 100'
HSE5-25DJSZ	5" x 25'
HSE5-5DJSZ	5" x 50'
HSE5-1DJSZ	5" x 100'

Specify Color:

- White (Standard)
- Y Yellow
- R Red

- 300 PSI service pressure - 600 PSI test pressure
- 100% polyester inner and outer jackets w/ TPU lining
- Standard colors: White, Yellow, or Red
- Additional colors also available
- Equipped with storz couplings
- Threaded couplings also available

Rubber Covered LDH

Typically used for municipal attack line, relay pumping, master stream appliance, crash/fire rescue, and high rise pumping.

Manufactured in accordance with National Fire Protection Association (NFPA) standards, current edition. The nitrile construction can pack wet and is mildew resistant.



Part #	Size
HSE4-25RCSZ	4" x 25'
HSE4-5RCSZ	4" x 50'
HSE4-1RCSZ	4" x 100'
HSE5-25RCSZ	5" x 25'
HSE5-5RCSZ	5" x 50'
HSE5-1RCSZ	5" x 100'

Specify Color:

- Y Yellow
- R Red

- 4" Hose = 250 PSI service pressure - 500 PSI test pressure
- 5" Hose = 225 PSI service pressure - 450 PSI test pressure
- 100% synthetic yarn reinforcement, locked-in by synthetic, extruded-through-the-weave nitrile rubber (ribbed outer cover, smooth inner liner)
- Standard colors: Yellow or Red
- Additional colors also available
- Equipped with storz couplings
- Threaded couplings also available

Forestry Hose

Typically used for brush, grass, wildland applications, portable pumps, heavy duty pumps, tank trucks, and forestry fires. Forestry hose is extremely lightweight by design, so that it can be easily transported via backpack, or by hand for long distances.

Manufactured to meet specification 187, meets USDA FSS 5100-187 Type II.



Part #	Size	Color
HSE1-5SJF1	1" x 50'	Yellow
HSE1-5SJF1W	1" x 50'	White
HSE1-1SJF1	1" x 100'	Yellow
HSE1-1SJF1W	1" x 100'	White
HSE15-5SJF1	1½" x 50'	Yellow
HSE15-5SJF1W	1½" x 50'	White
HSE15-1SJF1	1½" x 100'	Yellow
HSE15-1SJF1W	1½" x 100'	White

- 300 PSI service pressure - 600 PSI test pressure
- Jacket: 100% polyester yarn w/ filament polyester filler yarns
- Liner: Extruded thermo-polyurethane (TPU), compounded to resist ozone
- Standard colors: White or Yellow
- Standard coupling material: Aluminum
- Standard coupling thread spec: NST (hose thread)

Booster Hose

Lightweight, multipurpose hose that is designed for first arrival frontline attack line, grass and brush fires, wildland fires, dumpster fires, and industrial use.



Part #	Size	Color
HSE1-5BH1	1" x 50'	Red
HSE1-1BH1	1" x 100'	Red

- 300 PSI service pressure - 600 PSI test pressure
- 100% high tenacity polyester cover w/ polyurethane liner
- Flexible w/ helix reinforcement
- Standard couplings: Aluminum w/ NST thread

PVC Suction Hose

Designed specifically for drafting from any rural or municipal non-pressurized water source.

Manufactured in accordance with NFPA standards.



Part #	Size
HSE4-10SUC1	4" x 10'
HSE45-10SUC1	4½" x 10'
HSE5-10SUC1	5" x 10'
HSE6-10SUC1	6" x 10'

- SUCTION ONLY
- Clear PVC hose w/ black helix
- Standard length: 10'
- Coupled with aluminum re-attachable bolt-on couplings w/ NST thread



Material Supplied - **Scarborough Hall - East Baptist Texas Univ., Marshall TX**

FIRE HOSE RACKS & REELS



Fire Hose Rack Assemblies	72
Hose Rack Covers	72
Hose Reels	73
Hose Reel Covers	73

Fire Hose Rack Assemblies

Designed for immediate means of fire control. Capable of one person operation. Meets both the NFPA standard for Class II service and nationally recognized standard of 100 GPM @ 65 PSI at the nozzle.

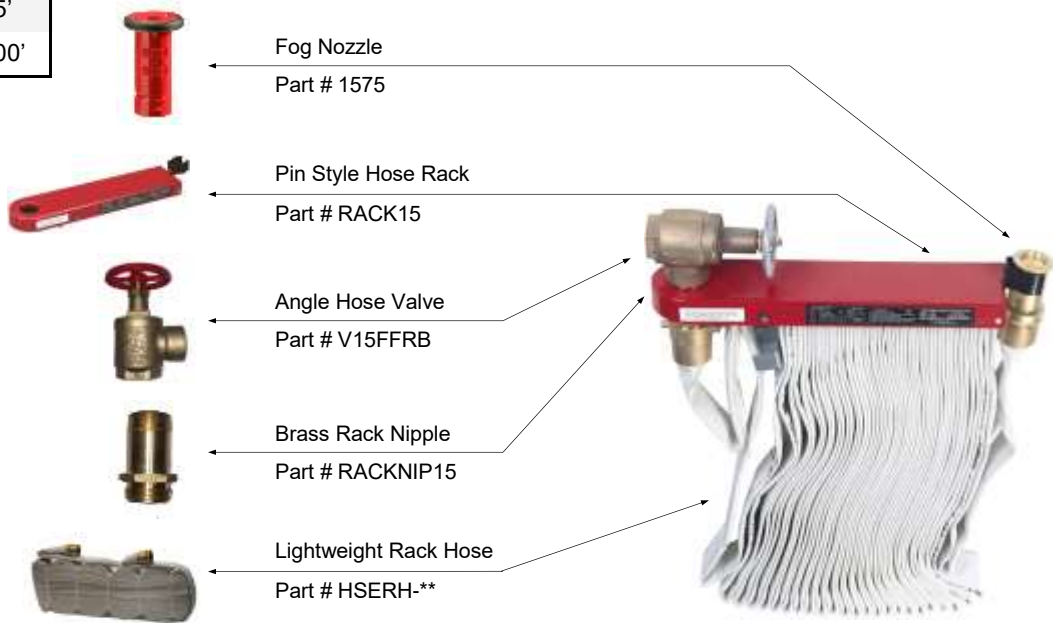
Furnished complete with all components shown below.



Part #	Size
HRA155	1½" x 50'
HRA157	1½" x 75'
HRA151	1½" x 100'
HRA255	2½" x 1½" x 50'
HRA257	2½" x 1½" x 75'
HRA251	2½" x 1½" x 100'

Specify Thread:
 -1 NST (Standard) -3 NPSH
 -Lexan (Standard)
 -B Brass

- HRA255, HRA257, and HRA251 use valve part # V25FFRB and rack nipple part # RACKNIP25, as well as reducer part # 327.



Hose Rack Covers

Made of bright red reinforced PVC that is water and mildew resistant. The covers are fastened with Velcro for quick release.

Fits up to a 100' hose rack assembly.

Part #	Size
HOSECVR-RA32	32" H x 22" W



Hose Reels

Our swing type fire hose reels allow for the fire hose to be easily removed by pulling toward the fire area. The operator will be ready for action when the hose is completely removed, and the valve is opened.

Heavy duty construction with red baked enamel finish.

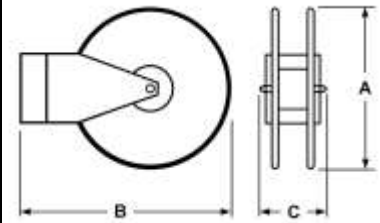
Solid, one piece slotted side wheels are separated by a molded poly hub, bolted together to form a sturdy unit.

Features a one piece wall bracket (12 gauge) for easy mounting with 180° swing.

Hose is double rolled from center of length, coupled to valve and nozzle.



Part #	Hose Diameter	Dimensions			Capacity		
		A	B	C	Rack Hose	SJ Fire Hose	Weight
REEL-R15-18	1½"	18"	23½"	6¼"	100'	75'	18 Lbs.
REEL-R15-24	1½"	24"	29"	6¼"	150'	100'	26 Lbs.
REEL-R25-24	1½ or 2½"	24"	29"	8¾"	1½" x 300' or 2½" x 150'	1½" x 200' or 2½" x 100'	33 Lbs.



Hose Reel Covers

Our hose reel covers are made of reinforced bright red PVC material that allow them to be water and mildew resistant. The covers are fastened with velcro for quick release.

Part #	Size
REELCVR-RE18	For #REEL-R15-18 reel
REELCVR-RE24	For #REEL-R15-24 reel
REELCVR-RE2410	For #REEL-R25-24 reel





Material Supplied - Jenga Tower, Manhattan NY

NOZZLES



Fog Nozzles	76
Plain Hose Nozzles	76
Forestry Nozzles	77
Dual Gallonage “Jump” Nozzles	77
Aluminum Constant Gallonage Nozzles	77

Fog Nozzles

Ideal for industrial and commercial applications, as well as small fire companies.

Available in either red plastic or brass.

For use up to 100 PSI. High pressure version is designed for up to 300 PSI.

Adjustable from a straight stream to a fog pattern.

Standard threads include GH, NST, and NPSH.

Special threads are also available.



Plastic Fog Nozzles

Part #	Size	Max GPM	Max PSI
157534	3/4"	8 GPM	100 PSI
15751	1"	22 GPM	100 PSI
1575	1 1/2"	75 GPM	100 PSI
15752	2"	108 GPM	100 PSI
157525	2 1/2"	150 GPM	100 PSI

Specify Thread:

- GH** Garden Hose Thread
- NST** Fire Hose Thread
- NPSH** Pipe Thread

- GH thread only available in 3/4" size
- NPSH thread only available in 1", 1 1/2", and 2" sizes



1575

Brass Fog Nozzles

Part #	Size	Max GPM	Max PSI
167534	3/4"	8 GPM	100 PSI
16751	1"	36 GPM	100 PSI
1675	1 1/2"	85 GPM	100 PSI
1675HP	1 1/2"	117 GPM	300 PSI
16752	2"	108 GPM	100 PSI
167525	2 1/2"	205 GPM	100 PSI

Specify Thread:

- GH** Garden Hose Thread
- NST** Fire Hose Thread
- NPSH** Pipe Thread

- GH thread only available in 3/4" size
- NPSH thread only available in 1", 1 1/2", and 2" sizes



1675

Plain Hose Nozzles

Ideal for industrial, commercial, and wash down applications.

Solid brass construction.

100 PSI pressure rating.

Part #	Size	Notes
187534	3/4"	Orifice = 1/4", length = 6"
18751	1"	Orifice = 5/16", length = 8"
1875	1 1/2"	Orifice = 1/2", length = 10"
18752	2"	Orifice = 9/16", length = 12"
187525	2 1/2"	Orifice = 1", length = 12"

Specify Thread:

- GH** Garden Hose Thread
- NST** Fire Hose Thread
- NPSH** Pipe Thread

- GH thread only available in 3/4" size



1875

Forestry Fog Nozzles

Our forestry nozzles comply with US Forest Service specifications.
 Made from 6061-T6 aluminum with a maroon hard coat finish.
 Dual flow rate nozzles offer (2) straight stream and (2) fog patterns.
 600 PSI pressure rating.

Part #	Size	Flow Rate
177534	3/4"	2 GPM @ 40 PSI for 1st straight stream 4 GPM @ 40 PSI for 2nd straight stream
17751	1"	12 GPM @ 100 PSI for 1st straight stream 25 GPM @ 100 PSI for 2nd straight stream
1775	1 1/2"	25 GPM @ 100 PSI for 1st straight stream 70 GPM @ 100 PSI for 2nd straight stream

Specify Thread:

- GH** Garden Hose Thread
- NST** Fire Hose Thread
- NPSH** Pipe Thread
- GH thread only available in 3/4" size



17751

Aluminum High Volume Dual Gallonage "Jump" Nozzles

Designed to provide a stream and fog at 20 GPM before "jumping" to increase volume to 60 GPM at optimal flow.
 Constructed of light weight aluminum.
 Heavy duty bumper for added protection.
 Adjustable from fog to straight stream.

Part #	Size	Flow Rate
25751	1"	20 GPM 60 GPM
2575	1 1/2"	20 GPM 60 GPM

Specify Thread:

- NST** Fire Hose Thread
- NPSH** Pipe Thread



2575

Aluminum Constant Flow Nozzles

Designed to provide both a straight stream and wide fog at an optimal flow rate of 35 GPM.
 Constructed of light weight aluminum.
 Heavy duty bumper for added protection.
 Adjustable from fog to straight stream.

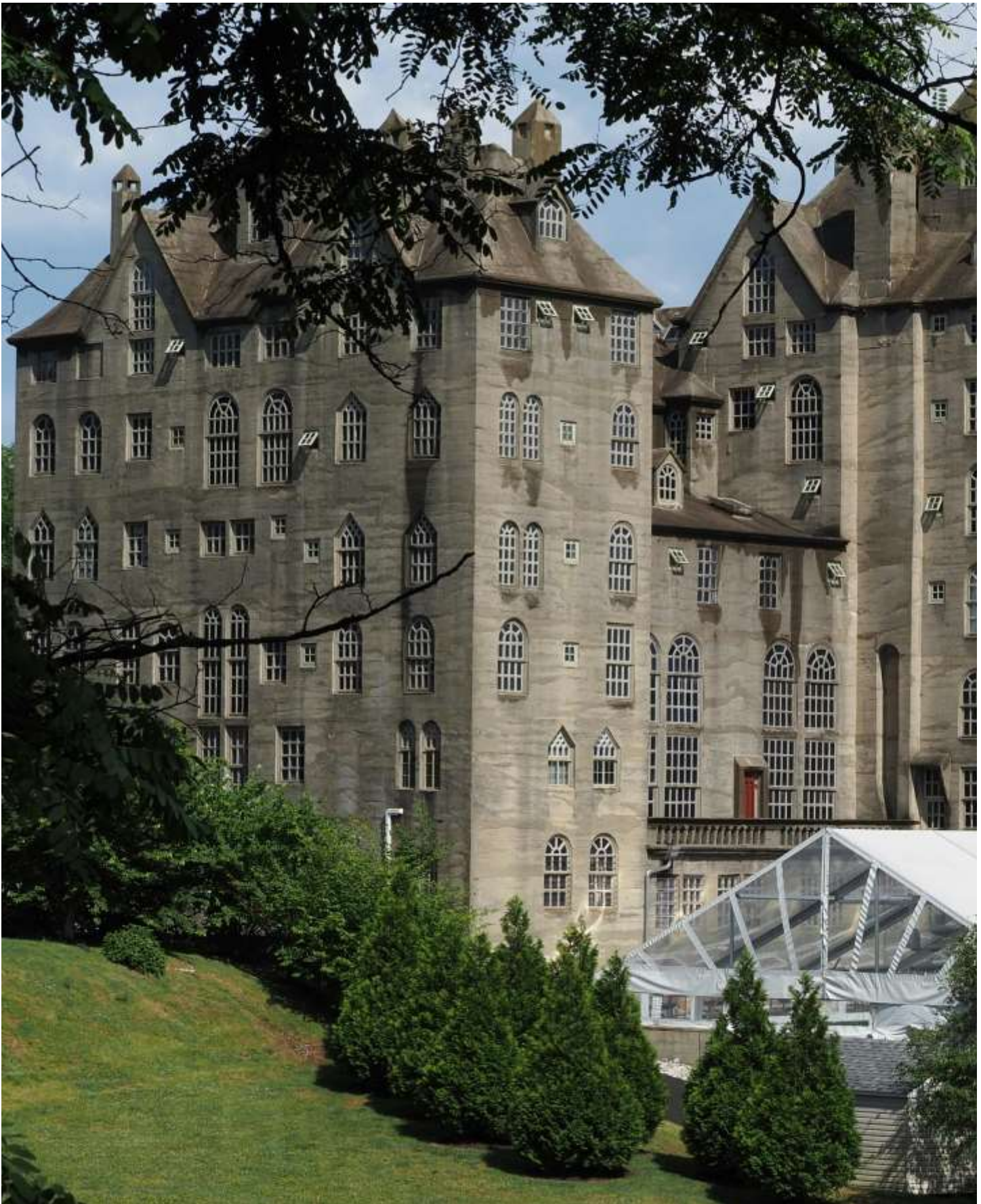
Part #	Size	Flow Rate
267534	3/4"	35 GPM
26751	1"	35 GPM

Specify Thread:

- GH** Garden Hose Thread (3/4" size only)
- NST** Fire Hose Thread
- NPSH** Pipe Thread



26751



Material Supplied - Mercer Museum, Doylestown PA

DRY HYDRANTS & STRAINERS



Male Dry Hydrants	80
Female Dry Hydrants	80
Dry Hydrant Signs	80
Dry Hydrant Strainers	81
Strainer Support Clamps	81

Dry Hydrants

Used in rural areas to draft from ponds, lakes, and streams in emergency situations.

Connections are constructed from lightweight 6061-T6 aluminum alloy; and are available in male thread, female thread, and storz.

Elbows are made from schedule 40 PVC; and are available in 90°, 45°, and straight configurations. Connections are also available without the elbow.



DHF6-90

Part #	Size	Outlet
DHM45	4½"	Male NST
DHM5	5"	Male NST
DHM6	6"	Male NST
DHF45	4½"	Female NST
DHF5	5"	Female NST
DHF6	6"	Female NST

Specify PVC Elbow:

- 90** 6" 90° Elbow
- 45** 6" 45° Elbow
- 180** 6" Straight PVC
- LPVC** No PVC (6" F NPSH)



DHM6-45



DHF6-180



DHM45-LPVC

Dry Hydrant Signs

Used to identify the location of dry hydrant systems.

Made from aluminum with a highly reflective coating.

Measures 12" wide x 18" high.

Part #	Finish
DRYHYDSIGN	Red lettering on white background



Dry Hydrant Strainers

Used in conjunction with dry hydrant systems. Strainers are typically installed in ponds and lakes and help aid in the blockage of debris when drawing water out of the described water sources.

Available in (3) main types, each with a specific application:

- Horizontal PVC Strainer - commonly used in lakes and ponds
- Low Level Strainer - commonly used in cistern tanks
- Tear Drop Strainer - commonly used in rivers and streams



STRAINER8FL

Part #	Size	Configuration	Material
STRAINER6FL	6"	Horizontal PVC strainer w/ flushing cover	PVC
STRAINER8FL	8"	Horizontal PVC strainer w/ flushing cover	PVC
STRAINER10FL	10"	Horizontal PVC strainer w/ flushing cover	PVC
STRAINERLL6	6"	Low Level Dry Hydrant Strainer	Aluminum
STRAINERTDS6	6"	Tear Drop Strainer	Aluminum



Horizontal PVC



Low Level Strainer



Tear Drop Strainer

Dry Hydrant Strainer Support Clamps

Designed specifically for clamping horizontal PVC strainers to 1" pipe, anchoring the strainer to the lake bed.

Made from corrosion resistant stainless steel.

Part #	Strainer Size
STRAINCLAMP6	6"
STRAINCLAMP8	8"





Material Supplied - **Eagle & West Apartments, Brooklyn NY**

TEST EQUIPMENT

T-Style Diffuser	84
Hydrant Diffuser	84
Valve Testing Device	85
Pitot Test Kits	85
Pressure Gauges	86
Sprinkler Line Tester	86
Playpipes & Playpipe Tips	87
Hydrant Caps	87
Cap Gauges	87
Discharge Elbows	88
Hydrant Flow Nozzles	88
Gauge Snubbers	88
Line Gauges	88
Hydrant Flow Gauges	88
3-Way Bleeder Valves	89
Wrenches (Hydrant & Spanner)	89



T-Style Diffuser

Used to reduce the pressure and force of flowing water from fire hydrants or hose lines. Controls erosion by directing the water to where you want it, in the curb side drain or down the gutter. Recommended for all field-testing or water main flushing operations in which detached hoses are used to direct water flow.

* Note: this unit DOES NOT measure water flow



Part #	Size	Material	Length	Width	Weight
TDIFFUSER25	2½" F Swivel NST x 4" Pipe	Aluminum	28"	18"	10 lbs

Hydrant Diffuser

Offers quick and efficient hydrant flow testing. These hydrant diffusers use a dual function, liquid filled gauge, which measures both gallons per minute as well as PSI. They also feature a 2½" female NST swivel so that when connected to the hydrant, the water flow can be aimed in a desirable direction as to not disturb landscape or damage objects in the waters path.

Rugged aluminum construction

All parts are field replaceable.

Weight = 7 lbs



DIFFUSER100



DIFFUSERKIT

Part #	Size	Notes
DIFFUSER100	2½" F Swivel NST	Includes: 4" 100 PSI / 1680 GPM gauge
DIFFUSER160	2½" F Swivel NST	Includes: 4" 160 PSI / 2120 GPM gauge
DIFFUSERCASE	14 1/2" L x 19" W x 7 3/8" H	Carrying case for hydrant diffuser
DIFFUSERKIT	2½" F Swivel NST	Includes: <ul style="list-style-type: none"> • 4" 160 PSI / 2120 GPM gauge • 4" 100 PSI gauge w/ quick connect • 4" 200 PSI gauge w/ quick connect • 2½" hydrant cap w/ 3-way bleeder valve • 12' of tube w/ quick connect and bleeder valve for remote reading • Spare inner tube • Convenient carrying case

Valve Testing Device

Designed to accurately test the flow and pressure produced from 2½" pressure reducing valves in standpipe systems per NFPA 13, NFPA 14, and NFPA 25. Accurately measures 100-500 GPM and up to 250 PSI.

Allows the user to accurately set field adjustable valves on site.

Also suitable for standpipe, fire pump, and hydrant flow testing.

“In-line” testing is provided through a calibrated venturi flowmeter.

Entire unit weighs only 24 lbs.

Detachable 30° swiveling elbow for easy connection to a PRV.

Crank handle for easy opening, closing, and throttling water flow.

Both gauges are tested and calibrated to N.I.S.T standards and come with a calibration certificate.



Part #	Finish	Notes
VALVETEST2	Aluminum	Measures up to 500 GPM / 250 PSI
VALVETESTCASE2	Black Plastic	Case designed to hold valve test device

Pitot Test Kits

Provides a means to accurately measure discharge from fire hydrants, fire hose nozzles, or other open orifices with flowing water. Pitot test kits remain a favorite among fire protection personnel due to their efficiency and economical attributes.

Nickel plated brass tube and blade.

Glycerin filled gauges.

Carrying case included with all kits.



PITOT

Part #	Kit Contents	Gauge PSI Ratings
PITOT	Pitot tube, blade, (1) 2½" gauge, Teflon tape	(1) 100 PSI
PITOTECON	Pitot tube, blade, (2) 2½" gauges, hydrant cap, 3-way bleeder valve	(1) 100 PSI, (1) 160 PSI
PITOTPRO	Pitot tube, blade, (4) 4" gauges, hydrant cap, 3-way bleeder valve, hydrant flow nozzle, hydrant flow gauge, spanner wrench	(2) 100 PSI, (1) 160 PSI, (1) 200 PSI



PITOTECON



PITOTPRO

Gauges

Designed to measure PSI or GPM in different increments depending on the job.

Glycerin filled.

Stainless steel case (rubber case on digital gauge, nylon on dual read gauges).

1/4" NPT bottom connection.

* NEVER hand twist a gauge into a fitting. This turns and misaligns the movement inside the case, ruining any chance of calibrating. Always use the proper wrench and do not overtighten.



GAUGEDIG

Part #	Size	Configuration	Case Material	Notes
GAUGEDIG	2½"	30 - 0 - 300 PSI	Rubber	Digital Read
GAUGE60	2½"	0 - 60 PSI	Stainless Steel	Glycerin filled
GAUGE100	2½"	0 - 100 PSI	Stainless Steel	Glycerin filled
GAUGE200	2½"	0 - 200 PSI	Stainless Steel	Glycerin filled
GAUGE300	2½"	0 - 300 PSI	Stainless Steel	Glycerin filled
GAUGE60-4	4"	0 - 60 PSI	Stainless Steel	Glycerin filled
GAUGE100-4	4"	0 - 100 PSI	Stainless Steel	Glycerin filled
GAUGE200-4	4"	0 - 200 PSI	Stainless Steel	Glycerin filled
GAUGE300-4	4"	0 - 300 PSI	Stainless Steel	Glycerin filled
GAUGE100-GPM	4"	100 PSI / 1680 GPM	Nylon	Glycerin filled
GAUGE160-GPM	4"	160 PSI / 2120 GPM	Nylon	Glycerin filled
GAUGERIPR	4"	0 - 200 PSI, 1/4" NPT Right	Stainless Steel	For Riptide
GAUGERIPL	4"	0 - 200 PSI, 1/4" NPT Left	Stainless Steel	For Riptide



GAUGE200



GAUGERIPL

Riptide Flow Testing System™

Has integrated stacking and is a totally modular and universally compatible flow testing system. These units are light weight, self-serviceable, and have a built-in pitot within each inlet.

U/L Listed, Made in the USA

Optional 1-1/8" and 1-3/4" reduced orifice inserts to capture lower flow rates.

Part #	Type
RIPTIDE1	Single Action
RIPTIDE2	Double Action
RIPTIDE3	Triple Action
RIPTIDE4	Quad Action

Specify Option:

- Without Gauges (standard)
- G With Gauges



RIPTIDE4

Playpipes

A playpipe is a component often required in hydrant houses by Insurance Underwriters. It's mainly used to project heavy water streams over greater distances and provides an immediate available means of conducting flow tests from fire pumps. U/L Listed. Contact us for current approvals.

2½" x 30" in length.



Part #	Size	Thread	Material	Notes
PLAYPIPE25	2½"	NST	Brass	Includes 1-1/8" orifice tip
PLAYPIPE25-NT	2½"	NST	Brass	No tip included

Playpipe Tips

Brass tips designed for playpipes. Available in (4) different orifice sizes, all come standard with ULT thread for use with our PLAYPIPE25.

Part #	Orifice Size
PLAYPIPETIP1125	1 1/8"
PLAYPIPETIP125	1¼"
PLAYPIPETIP15	1½"
PLAYPIPETIP175	1¾"



Hydrant Caps

Feature 1/4" NPT outlet for use with pressure gauges.

Hydrant caps are made from cast brass and have standard pin lugs.

Part #	Size	Finish
HYDCAP	2½" F NST x ¼" F NPT	Rough Brass



Cap Gauges

Comes equipped with a hydrant cap, a 2½" liquid filled gauge, and a 3-way bleeder valve. These units are used to test static (non-flowing) pressure.

Part #	Size	Finish
CAPGAUGE25	2½" F NST w/ 4" gauge	Rough Brass

Specify Pressure Rating:

- 100 100 PSI
- 200 200 PSI
- 300 300 PSI



Discharge Elbows

Designed for use on pump discharge valves, or suction inlets to minimize hose kinking.

Part #	Size	Type	Finish
ELBOW45RB25	2½" F Swivel NST x 2½" M NST	45°	Rough Brass
ELBOW45PC25	2½" F Swivel NST x 2½" M NST	45°	Polished Chrome
ELBOW90RB25	2½" F Swivel NST x 2½" M NST	90°	Rough Brass



Hydrant Flow Nozzles

Used to straighten the stream of water at the hydrant port to help get the most accurate pitot readings possible.

Part #	Size	Finish
HYDNOZZLE	2½" F NST x 2¼" Smooth Bore	Polished Chrome



Gauge Snubbers

Threads onto a pressure gauge and helps to steady the gauge needle in the existence of gas or liquid that may cause variations in your readings.

Part #	Size	Finish
GAUGESNUBBER	¼" F NPT x ¼" M NPT	Brass



Line Gauges

Used to test static pressure in fire hose or fire hose nozzles. They are also designed for standpipe use.

NOT intended to flow test fire hydrants.

Part #	Size	Configuration	Finish
LINEGAUGE25-ST	2½" F Swivel NST x 2½" M NST	Straight	Black Aluminum



Hydrant Flow Gauges

Bolts directly onto the 2½" outlet of a fire hydrant to accurately measure flow.

Comes equipped with a 2½" liquid filled gauge.

Part #	Size	Finish
HYDFLOW25	2½" 100 PSI gauge	Polished Chrome



3-Way Bleeder Valves

Used in a variety of flow test equipment.

The bottom port is known as the common port. The standard handle has 360° rotation and lies over the open port. When the handle is rotated 90° from either port, flow is shut off to both ports.



Part #	Size	Finish
PITOTBLEED3	1/4" F NPT x 1/4" F NPT x 1/4" M NPT	Brass

Universal Spanner Wrenches

Designed for use with threaded caps and plugs.

Includes built-in pry bar on one end.

Part #	Material	Fits	Length
SPANNER-K	Aluminum	3/4" - 3" pin lug or rocker lug couplings	11 3/4"
SPANNER233	Iron (painted red)	1" - 4 1/2" pin lug or rocker lug couplings	11 3/4"



SPANNER-K

Storz Spanner Wrenches

Designed for use with storz caps.

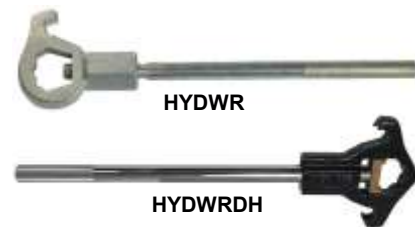
Features one piece aluminum construction.

Part #	Material	Fits
SZWRENCH	Aluminum	2", 3", 4", and 5" storz connections



Hydrant Wrenches

Designed for operating fire hydrants. Also, features a built-in spanner designed for both pin lug and rocker lug couplings.



HYDWR

HYDWRDH

Part #	Material	Head Type	Fits	Length
HYDWR	Steel	Single Head	pentagonal hydrant nuts up to 1 3/4" from point to flat and square nuts up to 1 1/4"; pin and rocker lugs from 1 1/2" to 6"	18"
HYDWRDH	Steel w/ ductile iron	Double Head	pentagonal hydrant nuts up to 1-7/8" from point to flat and square nuts up to 1 1/2"; pin and rocker lugs from 3/4" to 6"	19 1/2"



Material Supplied - **BU Center for Computing & Data Sciences, Boston MA**

ADAPTERS



Double Female Adapters	92
Double Male Adapters	92
Female x Male Rigid Adapters	92
Female x Male Swivel Adapters	92
Cam and Groove Adapters	93

Threaded Adapters

All threaded adapters feature cast brass construction.

Aluminum and custom threads available upon request.

NPT = Tapered Pipe Thread

NST = Standard Fire Hose Thread

GH = Garden Hose Thread



Female x Male Adapters - Rigid

Part #	Female Thread	Male Thread
A34FGH-34M2	3/4" GH	3/4" NPT
A34F2-34MGH	3/4" NPT	3/4" GH
A15F1-34MGH	1 1/2" NST	3/4" GH
A15F2-15M1	1 1/2" NPT	1 1/2" NST
A15F1-15M2	1 1/2" NST	1 1/2" NPT
A2F2-15M1	2" NPT	1 1/2" NST
A2F2-25M1	2" NPT	2 1/2" NST
A25F2-25M1	2 1/2" NPT	2 1/2" NST
A25F1-34M2	2 1/2" NST	3/4" NPT
A25F1-34MGH	2 1/2" NST	3/4" GHT
A25F1-1M2	2 1/2" NST	1" NPT
327-1RBA	2 1/2" NST	1 1/2" NST
327-2RBA	2 1/2" NST	1 1/2" NPT
A25F1-2M2	2 1/2" NST	2" NPT
A25F1-25M2	2 1/2" NST	2 1/2" NPT
A25F1-3M2	2 1/2" NST	3" NPT
A3F2-25M1	3" NPT	2 1/2" NST
A4F2-4M1	4" NPT	4" NST
A4F2-45M1	4" NPT	4 1/2" NST
A45F1-25M1	4 1/2" NST	2 1/2" NST
A45F1-4M2	4 1/2" NST	4" NPT
A6F2-6M1	6" NPT	6" NST



Double Female Adapters

Part #	Female Thread	Female Thread
A34F2-34FSWG	3/4" GH	3/4" NPT
A15FSW1-15F2	1 1/2" NST	1 1/2" NPT
AFSW151-151	1 1/2" NST	1 1/2" NST
A25FSW1-2F2	2 1/2" NST	2" NPT
160RBA	2 1/2" NST	2 1/2" NPT
AFSW251-251	2 1/2" NST	2 1/2" NST
A25FSW1-3F2	2 1/2" NST	3" NPT



Double Male Adapters

Part #	Male Thread	Male Thread
A34M2-34MGH	3/4" NPT	3/4" GH
A15M2-15M1	1 1/2" NPT	1 1/2" NST
A2M2-15M1	2" NPT	1 1/2" NST
A25M1-2M2	2" NPT	2 1/2" NST
A25M2-25M1	2 1/2" NPT	2 1/2" NST
A25M1-25M1	2 1/2" NST	2 1/2" NST
A3M2-25M1	3" NPT	2 1/2" NST
A4M2-4M1	4" NPT	4" NST
A4M2-45M1	4" NPT	4 1/2" NST
A6M2-6M1	6" NPT	6" NST



Female x Male Adapters - Swivel

Part #	Female Thread	Male Thread
A15FSW1-15M2	1 1/2" NST	1 1/2" NPT
A25FSW1-15M2	2 1/2" NST	1 1/2" NPT
A25FSW1-2M2	2 1/2" NST	2" NPT
A25FSW1-25M2	2 1/2" NST	2 1/2" NPT
A25FSW1-3M2	2 1/2" NST	3" NPT

Cam & Groove Adapters

All cam & groove adapter feature aluminum construction as standard.

Optional materials: Stainless Steel, Brass, and Polypropylene

Sizes range from ¾" - 8"

- 8" option ONLY available in aluminum
- 2½", 5", 6", and 8" options are unavailable in Polypropylene

Specify Finish:

- Aluminum (standard)
- SS Stainless Steel
- B Brass
- PP Polypropylene



Part 'A'
F NPT x M CAM

Part #	Size
CAM34A	¾"
CAM1A	1"
CAM125A	1¼"
CAM15A	1½"
CAM2A	2"
CAM25A	2½"
CAM3A	3"
CAM4A	4"
CAM5A	5"
CAM6A	6"
CAM8A	8"



Part 'B'
M NPT x F CAM

Part #	Size
CAM34B	¾"
CAM1B	1"
CAM125B	1¼"
CAM15B	1½"
CAM2B	2"
CAM25B	2½"
CAM3B	3"
CAM4B	4"
CAM5B	5"
CAM6B	6"
CAM8B	8"



Part 'C'
Barb x F CAM

Part #	Size
CAM34C	¾"
CAM1C	1"
CAM125C	1¼"
CAM15C	1½"
CAM2C	2"
CAM25C	2½"
CAM3C	3"
CAM4C	4"
CAM5C	5"
CAM6C	6"
CAM8C	8"



Part 'D'
F NPT x F CAM

Part #	Size
CAM34D	¾"
CAM1D	1"
CAM125D	1¼"
CAM15D	1½"
CAM2D	2"
CAM25D	2½"
CAM3D	3"
CAM4D	4"
CAM5D	5"
CAM6D	6"
CAM8D	8"



Part 'E'
Barb x M CAM

Part #	Size
CAM34E	¾"
CAM1E	1"
CAM125E	1¼"
CAM15E	1½"
CAM2E	2"
CAM25E	2½"
CAM3E	3"
CAM4E	4"
CAM5E	5"
CAM6E	6"
CAM8E	8"



Part 'F'
M NPT x M CAM

Part #	Size
CAM34F	¾"
CAM1F	1"
CAM125F	1¼"
CAM15F	1½"
CAM2F	2"
CAM25F	2½"
CAM3F	3"
CAM4F	4"
CAM5F	5"
CAM6F	6"
CAM8F	8"



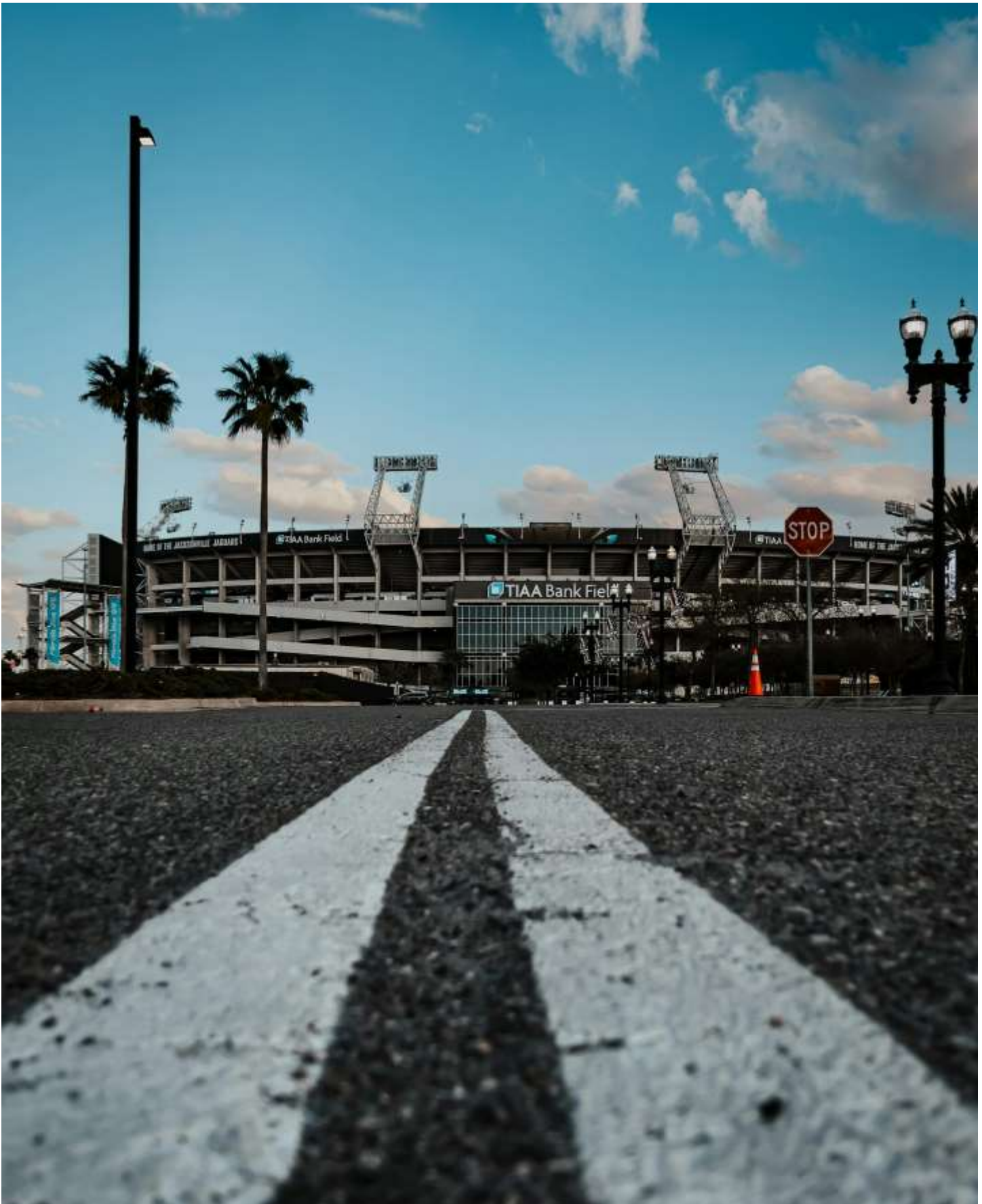
Part 'DC'
Dust Cap

Part #	Size
CAM34DC	¾"
CAM1DC	1"
CAM125DC	1¼"
CAM15DC	1½"
CAM2DC	2"
CAM25DC	2½"
CAM3DC	3"
CAM4DC	4"
CAM5DC	5"
CAM6DC	6"
CAM8DC	8"



Part 'DP'
Dust Plug

Part #	Size
CAM34DP	¾"
CAM1DP	1"
CAM125DP	1¼"
CAM15DP	1½"
CAM2DP	2"
CAM25DP	2½"
CAM3DP	3"
CAM4DP	4"
CAM5DP	5"
CAM6DP	6"
CAM8DP	8"



Material Supplied - EverBank Stadium, Jacksonville FL

ACCESS DOORS



All Purpose Access Doors (Standard)	96
All Purpose Access Doors (Fire Rated)	96
Access Doors for Drywall	97
Access Doors for Plaster	97

All Purpose Access Doors

Designed specifically for wall and ceiling installation in wallboard, plaster, masonry, brick or paneling.

Standard

Concealed hinge door is frame-mounted and swings open for ease in servicing.

Door: 16 ga. steel; Frame: 16 ga. steel with 1" flange

Latch: Flush, screwdriver-operated cam



Part #	Size
ACC88	8" x 8"
ACC812	8" x 12"
ACC1010	10" x 10"
ACC1212	12" x 12"
ACC1216	12" x 16"
ACC1218	12" x 18"
ACC1224	12" x 24"
ACC1414	14" x 14"
ACC1616	16" x 16"
ACC1620	16" x 20"
ACC1818	18" x 18"

Part #	Size
ACC2024	20" x 24"
ACC2030	20" x 30"
ACC2222	22" x 22"
ACC2230	22" x 30"
ACC2236	22" x 36"
ACC2424	24" x 24"
ACC2430	24" x 30"
ACC2436	24" x 36"
ACC3030	30" x 30"
ACC3636	36" x 36"

Specify Finish:

- White powder coat (standard)
- SS** 304 Stainless Steel

Optional Add-on:

- L** Cylinder lock w/ key

Fire Rated

Can be used wherever it is necessary to provide service access to shafts and any other location which must have a fire rating.

Wall Installation: 1½ hour UL "B" label in a 2 hour fire barrier | Ceiling Installation: 1 hour combustible; 3 hour non-combustible Warnock Hersey rated

Door: 2" thick, insulated 20 ga. steel; Frame: 16 ga. steel with 1" flange

Latch: Standard universal turn ring and key lock



Part #	Size
ACC88-FR	8" x 8"
ACC1010-FR	10" x 10"
ACC1212-FR	12" x 12"
ACC1414-FR	14" x 14"
ACC1616-FR	16" x 16"
ACC1818-FR	18" x 18"
ACC2030-FR	20" x 30"
ACC2222-FR	22" x 22"
ACC2230-FR	22" x 30"

Part #	Size
ACC2236-FR	22" x 36"
ACC2424-FR	24" x 24"
ACC2436-FR	24" x 36"
ACC2448-FR	24" x 48"
ACC3030-FR	30" x 30"
ACC3232-FR	32" x 32"
ACC3636-FR	36" x 36"
ACC3648-FR	36" x 48"

Specify Finish:

- White powder coat (standard)
- SS** 304 Stainless Steel

Optional Add-on:

- L** Mortise slam lock w/ key

Access Doors for Drywall

Designed specifically for installation in drywall applications. These doors feature a tape-in drywall bead flange, which eliminates the visual distraction caused by surface mounted units. All doors feature a white powder coat finish.

Door: 2" thick, insulated 20 ga. steel; Frame: 16 ga. steel with 1" drywall bead

Latch: Flush, screwdriver-operated cam

Hinge: Fully-concealed continuous hinge



Part #	Size
ACC88DW	8" x 8"
ACC1010DW	10" x 10"
ACC1212DW	12" x 12"
ACC1414DW	14" x 14"
ACC1616DW	16" x 16"
ACC1818DW	18" x 18"
ACC2222DW	22" x 22"
ACC2230DW	22" x 30"
ACC2424DW	24" x 24"

Specify Finish:

-White powder coat (standard)

-SS 304 Stainless Steel

Optional Add-on:

-L Cylinder lock w/ key

Access Doors for Plaster

These access panels feature a concealed frame with a metal flange that is recessed 3/4" from the face of the frame for application of plaster. They provide a nearly seamless look for interior walls and ceilings.

Door: 16 ga. steel

Frame: 16 ga. steel with 1-3/8" wide plaster flange, recessed 3/4"

Latch: Flush, screwdriver-operated cam

Hinge: Concealed continuous hinge



Part #	Size
ACC1212PL	12" x 12"
ACC1616PL	16" x 16"
ACC1620PL	16" x 20"
ACC1818PL	18" x 18"
ACC2424PL	24" x 24"

Specify Finish:

-White powder coat (standard)

-SS 304 Stainless Steel

Optional Add-on:

-L Cylinder lock w/ key



Material Supplied - **Bank of America Building, Dallas TX**

CABINETS



Cabinet Selection Instructions	100
Extinguisher Cabinets	101
Fire Hose Cabinets	102
Valve Cabinets	103
Outside Hose Houses	104
Plastic Extinguisher Cabinets	104

Selection Instructions:

Step 1: Determine Cabinet Type According to Contents

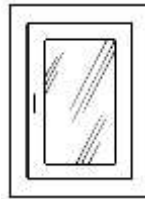
- Extinguisher Cabinets (pg. 101)
- Hose Cabinets (pg. 102)
- Valve Cabinets (pg. 103)

Step 2: Determine Door and Frame Material

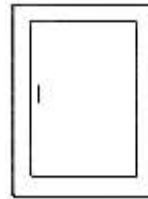
- Steel (Standard)
Finish is white powder coat.
- AL** Aluminum
Finish is clear anodized.
- SS** Stainless Steel
304 Stainless with #4 finish.

Step 3a: Determine Door Style

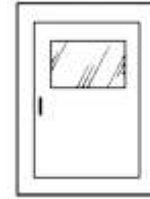
- F** Full Glazing (Standard)
- S** Solid (Standard)
- D** Horizontal Duo
- V** Vertical Duo



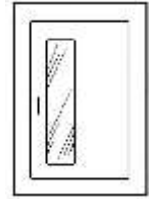
Full Glazing



Solid



Horizontal Duo



Vertical Duo

Step 3b: Determine Door Glazing (if not solid door)

- 10** Clear Acrylic (Standard)
- 15** Bronze Acrylic
- 17** Clear Tempered Glass
- 13** Wire Glass with Safety Film
- 16** Gray Acrylic
- 18** Laminated Safety Glass

Step 4: Determine Options

- FX2** Fire Rating
Fabricated in accordance with the UL label for 1 and 2 hour combustible and non-combustible wall system building codes. See www.americanfiresupply.com for full specifications.
- D** Die Cut Lettering
Offers cabinet identification. Available in red, black, or white; and horizontal or vertical orientation.
- L** Lock
Keyed cylinder locks are designed to prevent theft or vandalism of cabinet contents.

Extinguisher Cabinets

Designed to store fire extinguishers. All come standard with a zinc plated pull handle and roller catch. Cabinets also feature a continuous hinge.



Refer to page 100 for more detailed ordering instructions, options and additional information.

Part #	Interior W x H x D	Trim Style	Capacity
JL8115	9" x 18" x 5½"	Fully recessed 3/8" projection	2½ LB - 5 LB ABC Extinguisher
JL8116	9" x 18" x 5½"	Semi-recessed 1½" square edge	
JL8117	9" x 18" x 5½"	Semi-recessed 2½" rolled edge	
JL8114	9" x 18" x 5½"	Trimless (specify drywall or plaster)	
JL8113	12-3/16" x 21-3/16" x 6"	Surface mounted	
JL1015	10½" x 24" x 6"	Fully recessed 3/8" projection	2½ LB - 10 LB ABC Extinguisher
JL1016	10½" x 24" x 6"	Semi-recessed 1½" square edge	
JL1017	10½" x 24" x 6"	Semi-recessed 3" rolled edge	
JL1012	10½" x 24" x 6"	Semi-recessed 4" rolled edge (flush pull)	
JL1018	10½" x 24" x 6"	Semi-recessed 4½" rolled edge	
JL1014	10½" x 24" x 6"	Trimless (specify drywall or plaster)	
JL1013	13-11/16" x 27-3/16" x 6½"	Surface mounted	
JL2015	12" x 27" x 7¾"	Fully recessed 3/8" projection	2½ LB - 20 LB ABC Extinguisher
JL2016	12" x 27" x 7¾"	Semi-recessed 1½" square edge	
JL2017	12" x 27" x 7¾"	Semi-recessed 2½" rolled edge	
JL2018	12" x 27" x 7¾"	Semi-recessed 4½" rolled edge	
JL2014	12" x 27" x 7¾"	Trimless (specify drywall or plaster)	
JL2013	15-3/16" x 30-3/16" x 8¼"	Surface mounted	
JL3015	16" x 32" x 7¾"	Fully recessed 3/8" projection	2½ LB - 20 LB ABC Extinguisher
JL3016	16" x 32" x 7¾"	Semi-recessed 1½" square edge	
JL3017	16" x 32" x 7¾"	Semi-recessed 2½" rolled edge	
JL3018	16" x 32" x 7¾"	Semi-recessed 4½" rolled edge	
JL3013	19-3/16" x 35-3/16" x 8¼"	Surface mounted	
JL4015	20" x 27" x 7¾"	Fully recessed 3/8" projection	(2 ea) 2½ LB - 20 LB ABC Extinguisher
JL4016	20" x 27" x 7¾"	Semi-recessed 1½" square edge	
JL4017	20" x 27" x 7¾"	Semi-recessed 2½" rolled edge	
JL4018	20" x 27" x 7¾"	Semi-recessed 4½" rolled edge	
JL4013	23-3/16" x 30-3/16" x 8¼"	Surface mounted	

Hose Cabinets

Designed to store fire hose rack units (and extinguishers or valves on some models). All come standard with a zinc plated pull handle and roller catch. Cabinets also feature a continuous hinge.



Refer to page 100 for more detailed ordering instructions, options and additional information.

Part #	Interior	Trim Style	Capacity
JL6115	24" x 30" x 8"	Fully recessed 3/8" projection	50' or 75' Hose Rack Assembly
JL6116	24" x 30" x 8"	Semi-recessed 1/4" square edge	
JL6117	24" x 30" x 8"	Semi-recessed 2 1/2" rolled edge	
JL6114	24" x 30" x 8"	Trimless (specify drywall or plaster)	
JL6113	27-3/16" x 33-3/16" x 8 1/2"	Surface mounted	
JL6415	24" x 34 3/4" x 8"	Fully recessed 3/8" projection	100' Hose Rack Assembly
JL6416	24" x 34 3/4" x 8"	Semi-recessed 1/4" square edge	
JL6417	24" x 34 3/4" x 8"	Semi-recessed 2 1/2" rolled edge	
JL6414	24" x 34 3/4" x 8"	Trimless (specify drywall or plaster)	
JL6413	27-3/16" x 37-15/16" x 8 1/2"	Surface mounted	
JL6615	24" x 38 3/4" x 8"	Fully recessed 3/8" projection	125' Hose Rack Assembly
JL6616	24" x 38 3/4" x 8"	Semi-recessed 1/4" square edge	
JL6617	24" x 38 3/4" x 8"	Semi-recessed 2 1/2" rolled edge	
JL6614	24" x 38 3/4" x 8"	Trimless (specify drywall or plaster)	
JL6613	27-3/16" x 41-15/16" x 8 1/2"	Surface mounted	
JL6315	30" x 30" x 8"	Fully recessed 3/8" projection	50' or 75' Hose Rack Assembly and Fire Extinguisher
JL6316	30" x 30" x 8"	Semi-recessed 1/4" square edge	
JL6317	30" x 30" x 8"	Semi-recessed 2 1/2" rolled edge	
JL6314	30" x 30" x 8"	Trimless (specify drywall or plaster)	
JL6313	33-3/16" x 33-3/16" x 8 1/2"	Surface mounted	
JL6515	32 3/4" x 34 3/4" x 8"	Fully recessed 3/8" projection	100' Hose Rack Assembly and Fire Extinguisher or 2 1/2" FD Valve
JL6516	32 3/4" x 34 3/4" x 8"	Semi-recessed 1/4" square edge	
JL6517	32 3/4" x 34 3/4" x 8"	Semi-recessed 2 1/2" rolled edge	
JL6514	32 3/4" x 34 3/4" x 8"	Trimless (specify drywall or plaster)	
JL6513	35-15/16" x 37-15/16" x 8 1/2"	Surface mounted	
JL7215	32 3/4" x 38 3/4" x 8"	Fully recessed 3/8" projection	125' Hose Rack Assembly and Fire Extinguisher or 2 1/2" FD Valve
JL7216	32 3/4" x 38 3/4" x 8"	Semi-recessed 1/4" square edge	
JL7217	32 3/4" x 38 3/4" x 8"	Semi-recessed 2 1/2" rolled edge	
JL7214	32 3/4" x 38 3/4" x 8"	Trimless (specify drywall or plaster)	
JL7213	35-15/16" x 41-15/16" x 8 1/2"	Surface mounted	

Valve Cabinets

Designed to store fire hose valves (and extinguishers on some models). All come standard with a zinc plated pull handle and roller catch. Cabinets also feature a continuous hinge.



Refer to page 100 for more detailed ordering instructions, options and additional information.

Part #	Interior	Trim Style	Capacity
JL8515	18" x 18" x 8"	Fully recessed 3/8" projection	1½" or 2½" Fire Department Valve w/ Cap & Chain
JL8516	18" x 18" x 8"	Semi-recessed 1¼" square edge	
JL8517	18" x 18" x 8"	Semi-recessed 2½" rolled edge	
JL8514	18" x 18" x 8"	Trimless (specify drywall or plaster)	
JL8513	21-3/16" x 21-3/16" x 8½"	Surface mounted	
JL8415	18" x 18" x 10"	Fully recessed 3/8" projection	2½" Fire Department Valve w/ Reducer, Cap & Chain
JL8416	18" x 18" x 10"	Semi-recessed 1¼" square edge	
JL8417	18" x 18" x 10"	Semi-recessed 2½" rolled edge	
JL8414	18" x 18" x 10"	Trimless (specify drywall or plaster)	
JL8413	21-3/16" x 21-3/16" x 10½"	Surface mounted	
JL8715	26" x 26" x 8"	Fully recessed 3/8" projection	2½" Pressure Reducing Angle Valve w/ Cap & Chain
JL8716	26" x 26" x 8"	Semi-recessed 1¼" square edge	
JL8717	26" x 26" x 8"	Semi-recessed 2½" rolled edge	
JL8714	26" x 26" x 8"	Trimless (specify drywall or plaster)	
JL8713	29-3/16" x 29-3/16" x 8½"	Surface mounted	
JL8615	26" x 26" x 10"	Fully recessed 3/8" projection	2½" Pressure Reducing Angle Valve w/ Reducer, Cap & Chain
JL8616	26" x 26" x 10"	Semi-recessed 1¼" square edge	
JL8617	26" x 26" x 10"	Semi-recessed 2½" rolled edge	
JL8614	26" x 26" x 10"	Trimless (specify drywall or plaster)	
JL8613	29-3/16" x 29-3/16" x 10½"	Surface mounted	
JL8015	16" x 40" x 9"	Fully recessed 3/8" projection	1½" or 2½" Fire Department Valve and Fire Extinguisher
JL8016	16" x 40" x 9"	Semi-recessed 1¼" square edge	
JL8017	16" x 40" x 9"	Semi-recessed 2½" rolled edge	
JL8014	16" x 40" x 9"	Trimless (specify drywall or plaster)	
JL8013	19-3/16" x 43-3/16" x 9½"	Surface mounted	

- All 16" x 40" cabinets come standard with a heavy gauge shelf for supporting the fire extinguisher. The shelf is located 12" up from the bottom of the cabinet. Shelf can be deleted at no additional cost.

Outside Hose Houses

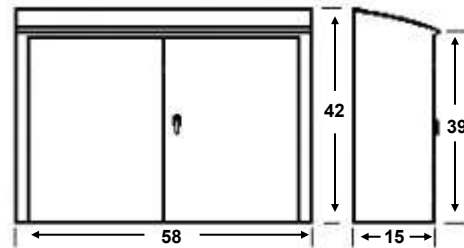
Intended for use by trained personnel or fire departments at industrial facilities where there is an adjacent hydrant or other water supply. These units are designed to accommodate up to 300' or 2½" fire hose as well as nozzles, fire axes, and other fire fighting equipment.

All parts finished with a red, exterior grade, TGIC polyester powder coat.

Double reinforced doors with continuous hinges.

Louvers provided on both ends for ventilation.

Adjustable center shelf.



Part #	Material
15-58S	Steel
15-58SG	Galvanized Steel
15-58A	Aluminum

Specify Leg Length:

- 12 12" legs (12ga steel)
- 18 18" legs (12ga steel)
- 24 24" legs (12ga steel)

Plastic Extinguisher Cabinets

Durable, surface mounted fire extinguisher cabinets that are resistant to the elements. Body and frame are constructed of injection molded red or white virgin high-impact crystal polystyrene with ultra-violet inhibitors (.110 wall thickness). The cover is constructed of virgin acrylic (.080 thickness).

Cabinet includes cylinder lock and key along with a polypropylene injection molded plastic hammer with flexible torsion, ribbed grip surface, and clear nylon-jacketed stainless steel mechanical cable.

- Made in the USA
- Rust proof
- No sharp corners or glass to shatter
- Pitched drainage and natural ventilation
- Available in red or white



Part #	Interior	Color	Capacity
105RRC	16-3/4" H x 6" W x 5-3/8" D	Red	(1) 2½ lb or 5 lb ABC Extinguisher
105RRC-10	20-1/2" H x 6-3/4" W x 6" D	Red	(1) 10 lb ABC Extinguisher
105RRC-20	26" H x 9" W x 8" D	Red	(1) 20 lb ABC Extinguisher
105WWC	16-3/4" H x 6" W x 5-3/8" D	White	(1) 2½ lb or 5 lb ABC Extinguisher
105WWC-10	20-1/2" H x 6-3/4" W x 6" D	white	(1) 10 lb ABC Extinguisher
105WWC-20	26" H x 9" W x 8" D	White	(1) 20 lb ABC Extinguisher

Thread Chart

Size	NST or NH Fire Hose Thread		NPSH Straight Pipe Thread		NYC New York Corp.		NYFD New York Fire Dept.		NEW Newport, RI		BRID Bridgeport, CT	
	ODM	TPI	ODM	TPI	ODM	TPI	ODM	TPI	ODM	TPI	ODM	TPI
	1½"	1.9900"	9	1.8788"	11.5	2.0930"	11	2.1000"	8	--	--	--
2"	2.5156"	8	2.3528"	11.5	2.5470"	11	--	--	--	--	--	--
2½"	3.0686"	7.5	2.8430"	8	3.0000"	8	3.0300"	8	3.1870"	6	3.1800"	8
3"	3.6239"	6	3.4700"	8	--	--	3.6300"	8	--	--	--	--
3½"	4.2439"	6	3.9700"	8	--	--	4.0700"	8	--	--	--	--
4"	5.0000"	4	4.4700"	8	--	--	4.6100"	8	--	--	--	--
4½"	5.7609"	4	4.9700"	8	--	--	5.8000"	4	--	--	--	--
5"	6.2600"	4	5.5300"	8	--	--	--	--	--	--	--	--
6"	7.0250"	4	6.5900"	8	--	--	--	--	--	--	--	--

Size	CHIC Chicago Fire Dept.		CIN Cincinnati, OH		CLEV Cleveland, OH		TOL Toledo, OH		RICH Richmond, VA		PITT Pittsburgh, PA	
	ODM	TPI	ODM	TPI	ODM	TPI	ODM	TPI	ODM	TPI	ODM	TPI
	1½"	1.9330"	11.5	--	--	--	--	--	--	--	--	--
2"	--	--	--	--	--	--	--	--	--	--	--	--
2½"	2.9900"	7.5	3.0580"	6	3.0781"	8	3.0000"	8	3.3100"	8	3.0625"	6
3"	--	--	--	--	--	--	--	--	--	--	--	--
3½"	4.0520"	8	--	--	--	--	--	--	--	--	--	--
4"	5.0000"	4	--	--	--	--	--	--	--	--	--	--
4½"	5.7609"	4"	--	--	--	--	--	--	--	--	--	--
5"	6.2600"	4	--	--	--	--	--	--	--	--	--	--
6"	--	--	--	--	--	--	--	--	--	--	--	--



AMERICAN FIRE SUPPLY
222 BEMIS ROAD
FITCHBURG, MA 01420

P: 978-345-7570 | 800-252-7570

F: 978-345-7572

sales@americanfiresupply.com

www.americanfiresupply.com